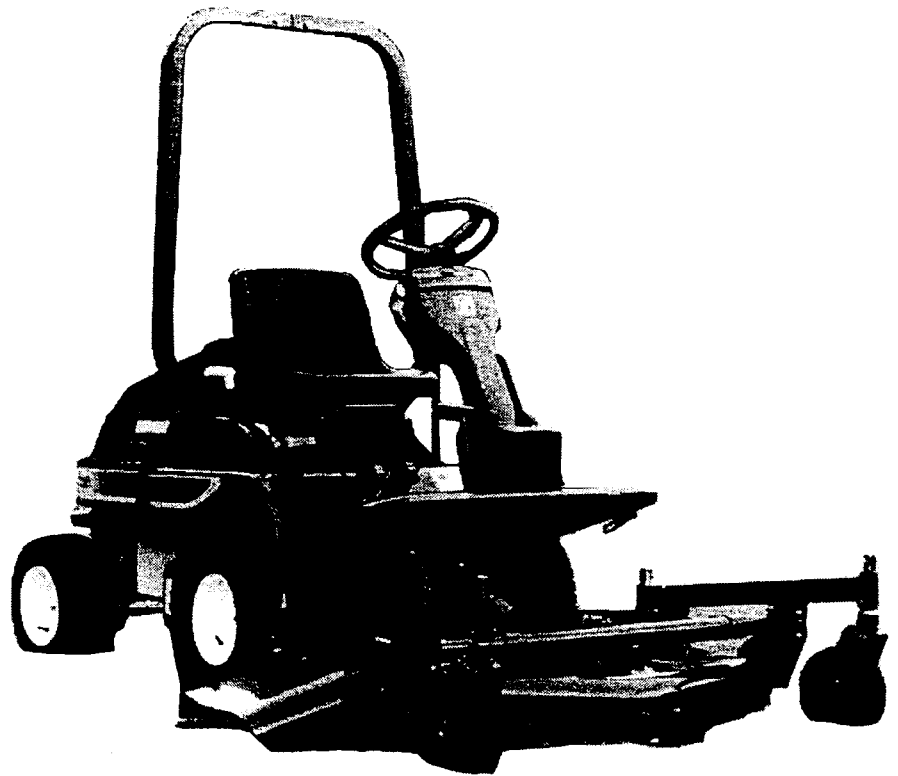


YANMAR FRONT MOWER

YANMAR

PARTS CATALOG



MODEL

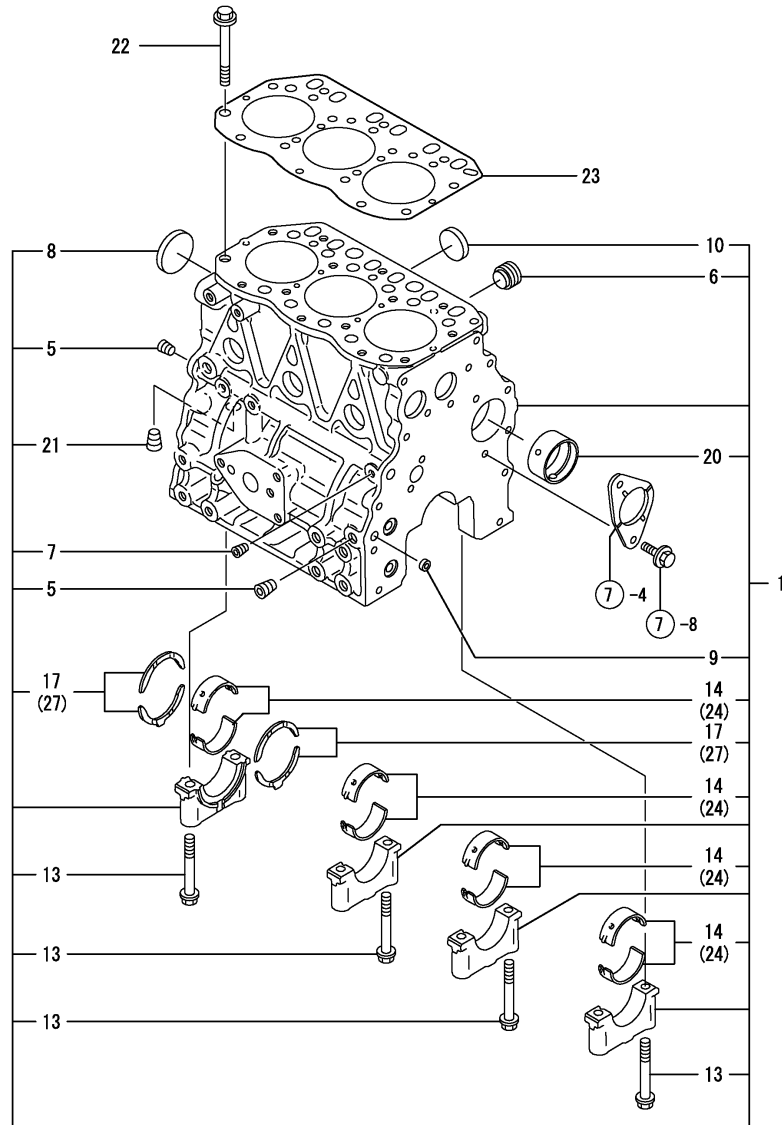
GE 28

Published 1st. Edition

MAR.,2002

NPC.3908

Fig.1. CYLINDER BLOCK



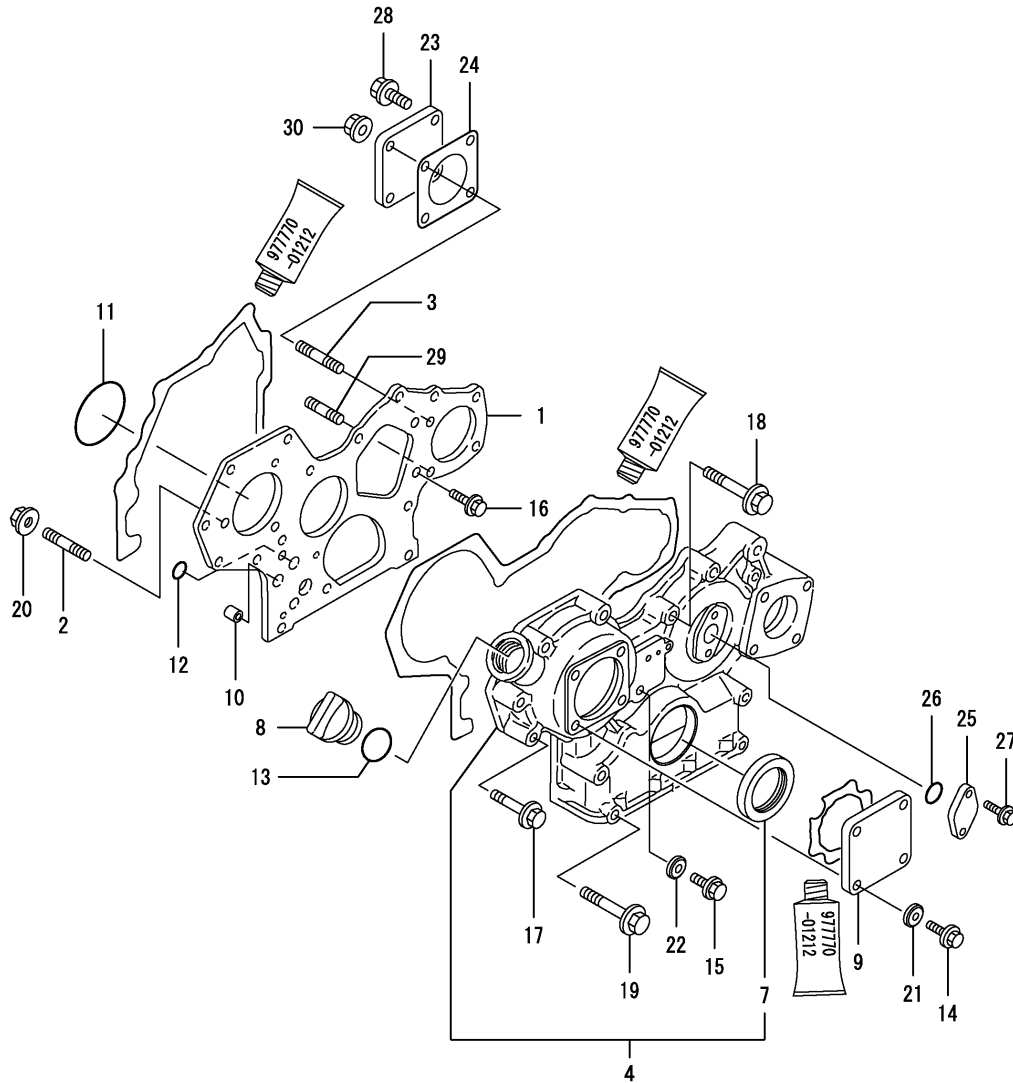
NPC-4019 1. CYLINDER BLOCK

(A)=3TNE82A-ERFM (D)=
 (B)= (E)=
 (C)= (F)=

REF.	LEV.	PARTS NO.	DESCRIPTION	QTY						I	R	
				(A)	(B)	(C)	(D)	(E)	(F)			
1	1	719813-01560	BLOCK ASSY, CYLINDER	1								
5	2	124160-01910	PLUG PT1/4	2								
6	2	171051-01921	PLUG	1								
7	2	23876-010000	PLUG PT1/8,SCREW	1								
8	2	129001-01250	PLUG 50	1								
9	2	27241-120000	PLUG 12	2								
10	2	27241-300000	PLUG 30	6								
13	2	119620-02020	BOLT	8								
14	2	119810-02800	MAIN BEARING	4								
17	2	119810-02930	BEARING, THRUST	1								
20	2	129795-02411	BUSH, CAMSHAFT	1								
21	2	124160-01910	PLUG PT1/4	1								
22	1	119810-01200	BOLT, CYL. HEAD	14								
23	1	119812-01330	GASKET, HEAD	1								
24	1	119810-02870	MAIN BEARING US=0.25	4							1	
27	1	119810-02940	BEARING,THRUST .25OS	2								2

Remarks
 (1) UNDER-SIZE(U.S=0.25)PART.
 (2) OVER-SIZE(O.S=0.25)PART.
 (REMARKS)"EFFECTIVE MACHINE NO." OF
 ENGINE IS INDICATED ON THE
 ENGINE LABEL WHICH IS SHOWN
 IN FIG.4.

Fig.2. GEAR HOUSING



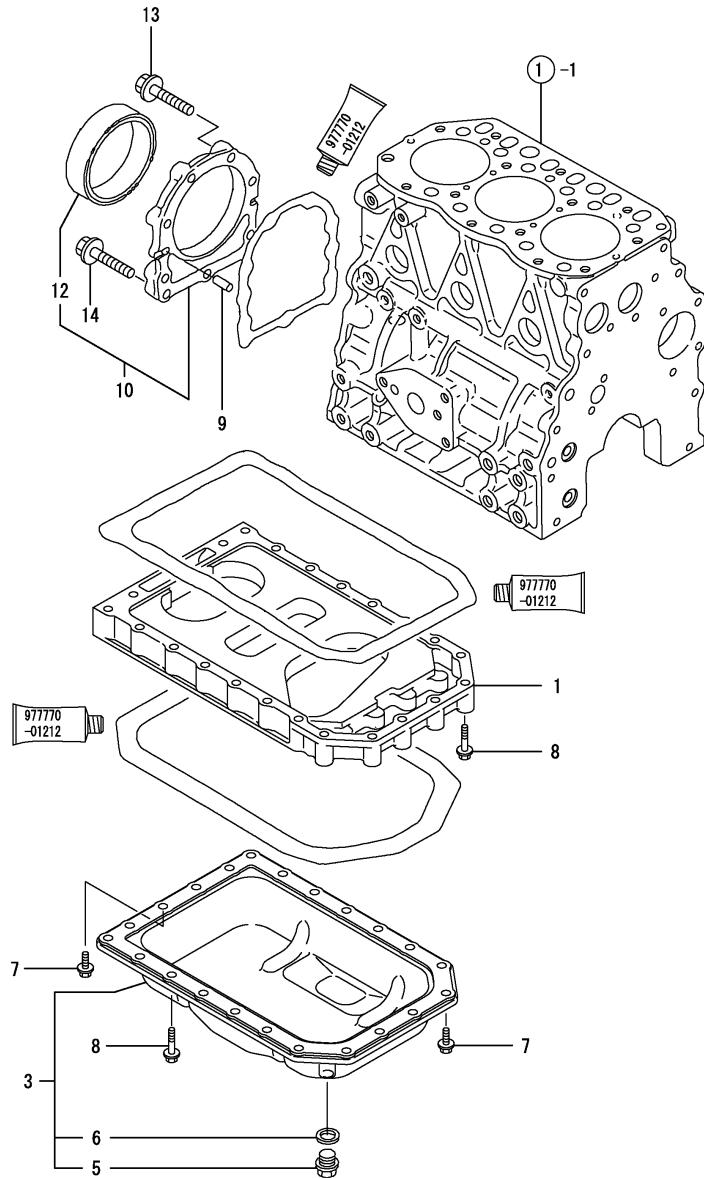
(A)=3TNE82A-ERFM (D)=
 (B)= (E)=
 (C)= (F)=

REF.	LEV.	PARTS NO.	DESCRIPTION	QTY						I	R
				(A)	(B)	(C)	(D)	(E)	(F)		
1	1	129100-01520	FLANGE,GEAR HOUSING	1							
2	1	121450-01560	STUD M 8X 22	3							
3	1	129150-01580	STUD 8 X 30	1							
4	1	129100-01590	HOUSING ASSY, GEAR	1							
7	2	129795-01800	SEAL, OIL	1							
8	1	124160-01751	COVER,FILLER	1							
9	1	124240-01871	COVER, HO-P	1							
10	1	129795-01950	PIPE, KNOCK L=18	2							
11	1	121850-51960	O-RING, F.I.PUMP	1							
12	1	119609-32040	O-RING P16	2							
13	1	24311-000320	O-RING 1A P-32.0	1							
14	1	26106-080122	BOLT M 8X 12 PLATED	4							
15	1	26106-080162	BOLT M 8X 16 PLATED	1							
16	1	26106-080162	BOLT M 8X 16 PLATED	3							
17	1	26106-080452	BOLT M 8X 45 PLATED	6							
18	1	26106-080552	BOLT M 8X 55 PLATED	3							
19	1	129001-91841	BOLT M 8X 85 PLATED	4							
20	1	26306-080002	NUT	3							
21	1	22190-080002	SEAL WASHER 8S	4							
22	1	22190-080002	SEAL WASHER 8S	1							
23	1	124240-01871	COVER, HO-P	1							
24	1	124240-01883	GASKET, (NON-ASB.)	1							
25	1	121023-01550	COVER, BLIND	1							
26	1	24341-000240	O-RING 1A S-24.0	1							
27	1	26106-060162	BOLT M 6X 16 PLATED	2							
28	1	26106-080302	BOLT M 8X 30 PLATED	2							
29	1	26216-080402	STUD M 8X 40 PLATED	1							
30	1	26306-080002	NUT	2							

Remarks
 (REMARKS)"EFFECTIVE MACHINE NO." OF
 ENGINE IS INDICATED ON THE
 ENGINE LABEL WHICH IS SHOWN
 IN FIG.4.

Fig.3. OIL SUMP

(A)=3TNE82A-ERFM (D)=
 (B)= (E)=
 (C)= (F)=

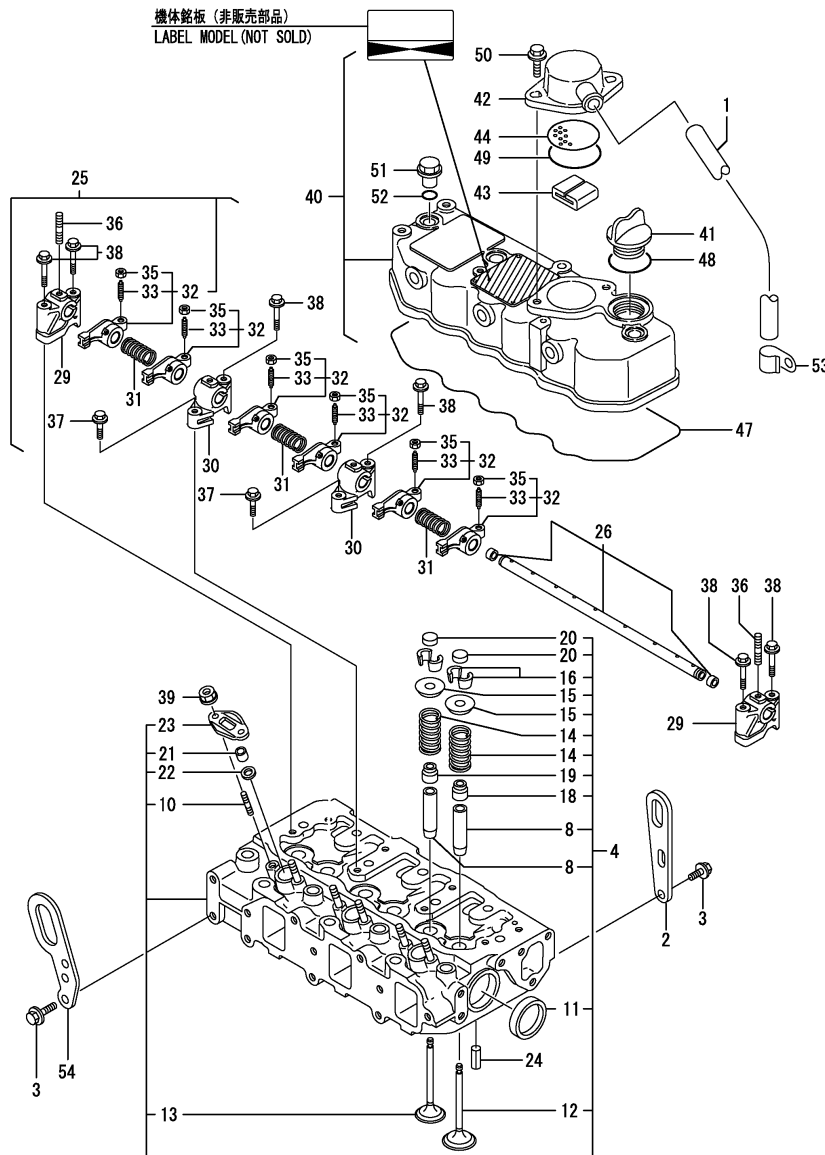


REF.	LEV.	PARTS NO.	DESCRIPTION	QTY						I	R
				(A)	(B)	(C)	(D)	(E)	(F)		
1	1	119810-01730	SPACER, L.O. SUMP	1							
3	1	119853-01790	SUMP ASSY, LUB.OIL	1							
5	2	129054-01640	DRAIN PLUG	1							
6	2	22190-120002	SEAL WASHER 12	1							
7	1	26106-080162	BOLT M 8X 16 PLATED	6							
8	1	26106-080452	BOLT M 8X 45 PLATED	22							
9	1	129100-01580	PARALLEL PIN 8X16	2							
10	1	719810-01650	CASE ASSY, OIL SEAL	1							
12	2	119810-01780	SEAL, OIL	1							
13	1	129486-01670	BOLT M8X30,COLLAR HD	6							
14	1	26106-080352	BOLT M 8X 35 PLATED	3							

Remarks
 (REMARKS)"EFFECTIVE MACHINE NO." OF
 ENGINE IS INDICATED ON THE
 ENGINE LABEL WHICH IS SHOWN
 IN FIG.4.

(A)=3TNE82A-ERFM (D)=
 (B)= (E)=
 (C)= (F)=

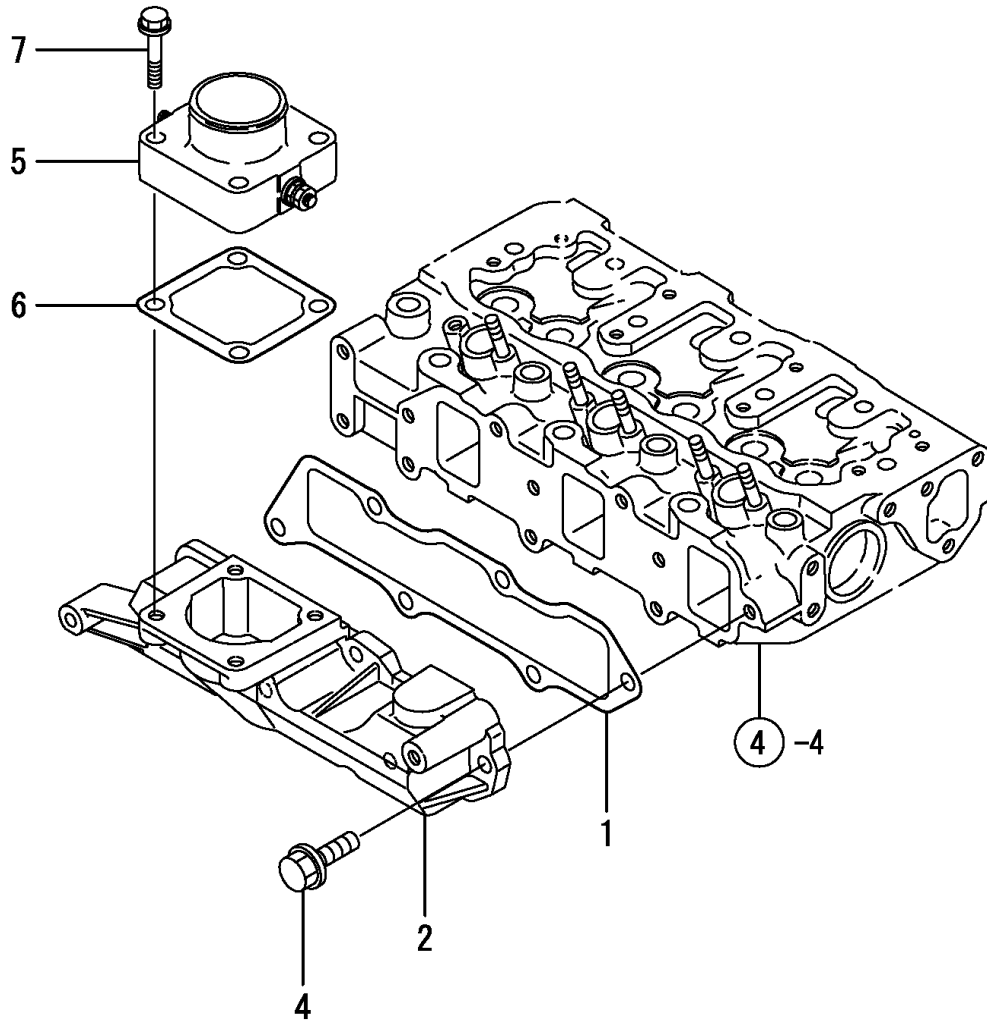
Fig.4. CYLINDER HEAD & BONNET



REF.	LEV.	PARTS NO.	DESCRIPTION	QTY						I	R
				(A)	(B)	(C)	(D)	(E)	(F)		
1	1	129150-03090	PIPE	1							
2	1	124736-07900	LIFTER, ENGINE	1							
3	1	26106-080142	BOLT M 8X 14 PLATED	4							
4	1	119812-11700	HEAD ASSY, CYLINDER	1							
8	2	124060-11800	GUIDE, VALVE	6							1
10	2	26216-060302	STUD M 6X 30 PLATED	6							
11	2	27241-400000	PLUG 40	2							
12	2	119810-11100	VALVE, SUCTION	3							
13	2	119810-11110	VALVE, EXHAUST	3							
14	2	119810-11120	SPRING, VALVE	6							
15	2	104211-11180	RETAINER, SPRING	6							
16	2	27310-070001	COTTER ASSY	6							
18	2	124160-11340	SEAL, VALVE STEM	3							
19	2	124950-11340	SEAL, VALVE STEM	3							
20	2	104211-11370	CAP, VALVE	6							
21	2	119625-11870	PROTECTOR, NOZZLE	3							
22	2	119625-11880	SEAT, NOZZLE	3							
23	2	119625-11900	RETAINER	3							
24	1	22351-060012	SPRING PIN 6X12	2							
25	1	119865-11210	SUPPORT ASSY, ROCKER	1							
26	2	119810-11240	SHAFT, ROCKER ARM	1							
29	2	129155-11260	SUPPORT, ROCKER ARM	2							
30	2	129155-11270	SUPPORT, ROCKER ARM	2							
31	2	129150-11280	SPRING	3							
32	2	719810-11660	ARM ASSY, ROCKER	6							
33	3	129150-11230	SCREW, VALVE	6							
35	3	129150-11750	NUT M8XP1.0	6							
36	2	119802-11280	STUD	3							
37	1	26106-080252	BOLT M 8X 25 PLATED	2							
38	1	26106-080502	BOLT M 8X 50 PLATED	6							
39	1	26366-060002	NUT M 6	6							
40	1	719810-11521	BONNET ASSY	1							
41	2	124160-01751	COVER,FILLER	1							
42	2	129150-03020	COVER, BREATHER	1							
43	2	129150-03070	BAFFLE, BREATHER	1							
44	2	129150-03080	PLATE, SHELTER	1							
47	2	119865-11310	GASKET, BONNET	1							
48	2	24311-000320	O-RING 1A P-32.0	1							
49	2	24341-000500	O-RING 1A S-50.0	1							
50	2	26106-080162	BOLT M 8X 16 PLATED	2							
51	1	124160-11360	KNOB	3							
52	1	24311-000120	O-RING 1A P 12.0	3							
53	1	129150-03100	RETAINER	1							
54	1	119260-07900	LIFTER, ENGINE	1							

Remarks
 (1) REPAIR PART.
 (REMARKS)"EFFECTIVE MACHINE NO." OF
 ENGINE IS INDICATED ON THE
 ENGINE LABEL WHICH IS SHOWN
 IN FIG.4.

Fig.5. SUCTION MANIFOLD



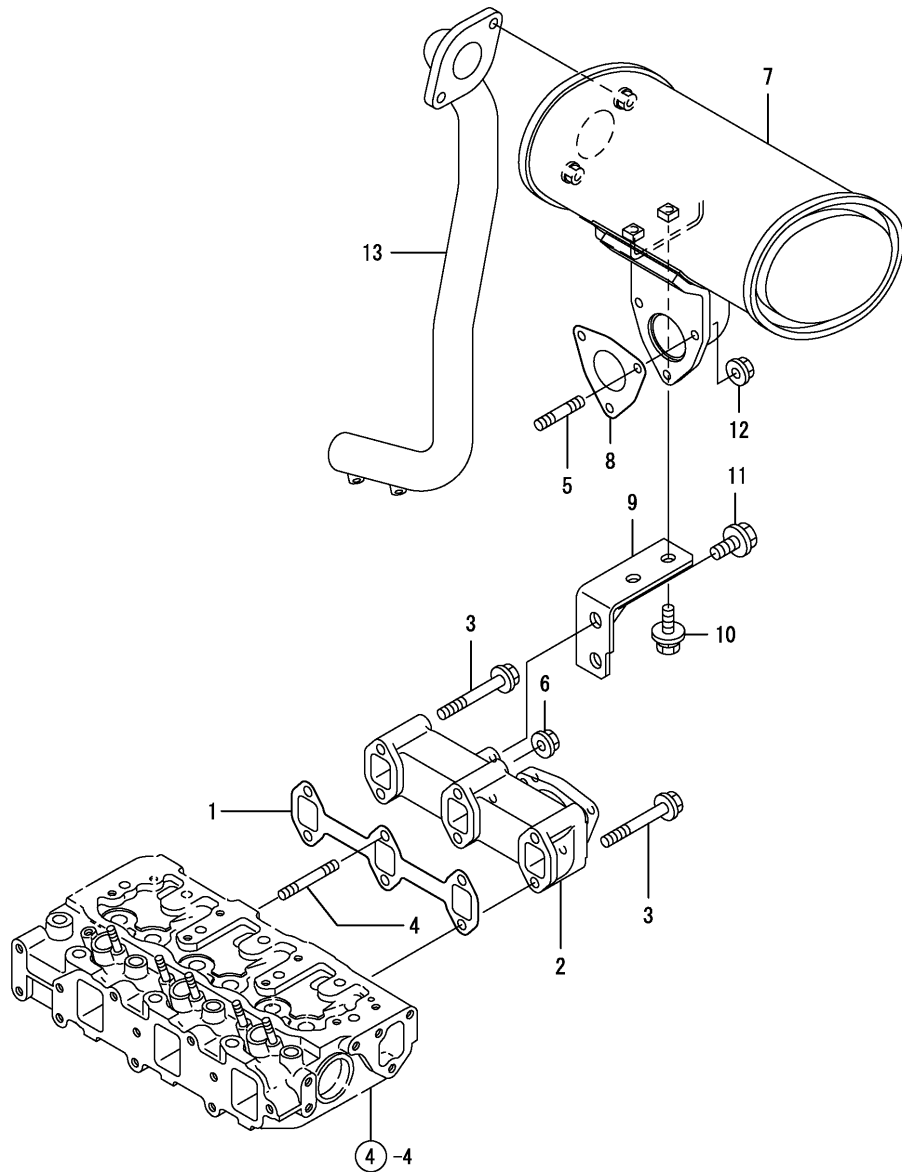
(A)=3TNE82A-ERFM (D)=
 (B)= (E)=
 (C)= (F)=

REF.	LEV.	PARTS NO.	DESCRIPTION	QTY					
				(A)	(B)	(C)	(D)	(E)	(F)
1	1	119813-12110	GASKET,INT. MANIFOLD	1					
2	1	119813-12120	MANIFOLD, INTAKE	1					
4	1	26106-080252	BOLT M 8X 25 PLATED	6					
5	1	129120-77501	HEATER, AIR	1					
6	1	129150-77511	GASKET, (NON-ASB.)	1					
7	1	26106-080352	BOLT M 8X 35 PLATED	4					

Remarks
 (REMARKS)"EFFECTIVE MACHINE NO." OF
 ENGINE IS INDICATED ON THE
 ENGINE LABEL WHICH IS SHOWN
 IN FIG.4.

Fig.6. EXHAUST MANIFOLD & SILENCER

(A)=3TNE82A-ERFM (D)=
 (B)= (E)=
 (C)= (F)=

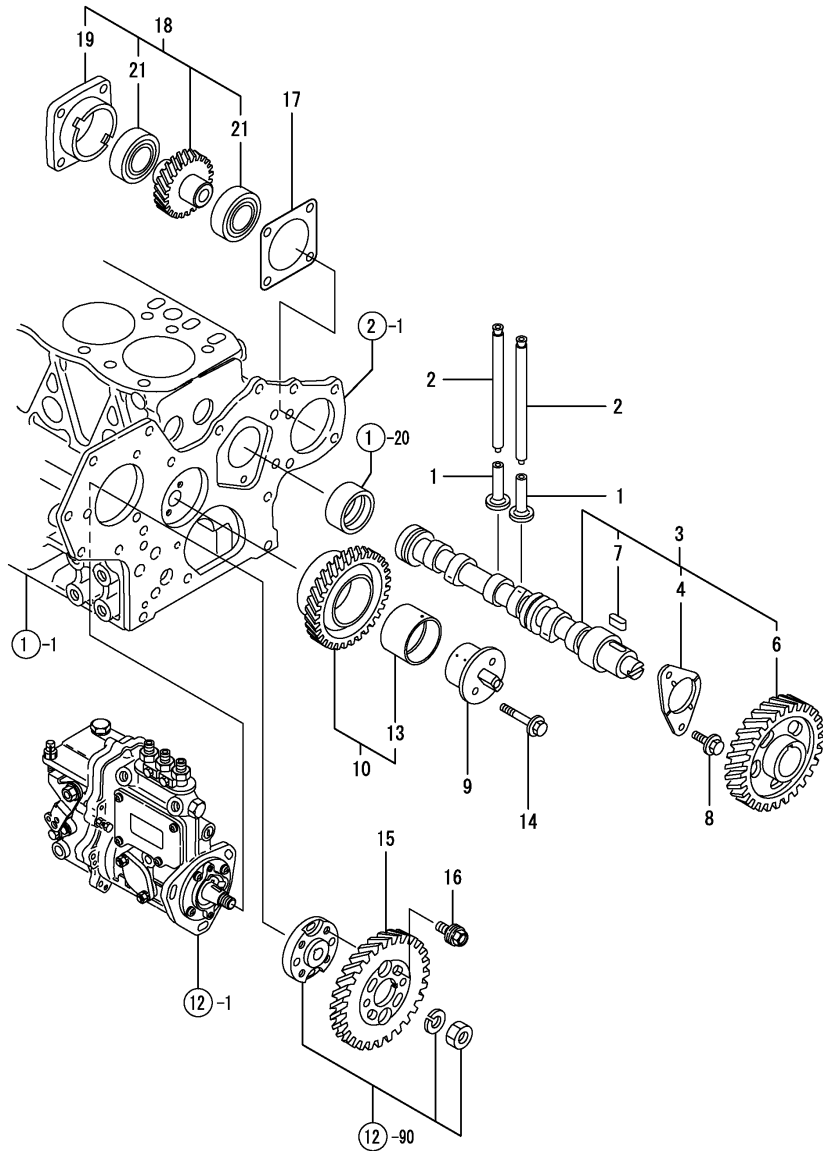


REF.	LEV.	PARTS NO.	DESCRIPTION	QTY						I	R
				(A)	(B)	(C)	(D)	(E)	(F)		
1	1	119810-13110	GASKET, EXH.MANIFOLD	1							
2	1	119853-13110	MANIFOLD, EXHAUST	1							
3	1	119802-13640	BOLT, M8X60	4							
4	1	119802-13740	STUD M 8X 60	2							
5	1	119131-18320	BOLT M 8X 22	3							
6	1	26306-080002	NUT	2							
7	1	119853-13530	SILENCER	1							
8	1	119629-13580	GASKET, EXTENSION	1							
9	1	119840-13650	STAY, SILENCER	1							
10	1	26014-080182	BOLT M 8X 14 PLATED	2							
11	1	26106-080142	BOLT M 8X 14 PLATED	2							
12	1	26306-080002	NUT	3							
13	1	119853-13651	DUCT, EXHAUST	1							

Remarks
 (REMARKS)"EFFECTIVE MACHINE NO." OF
 ENGINE IS INDICATED ON THE
 ENGINE LABEL WHICH IS SHOWN
 IN FIG.4.

Fig.7. CAMSHAFT & DRIVING GEAR

(A)=3TNE82A-ERFM (D)=
 (B)= (E)=
 (C)= (F)=

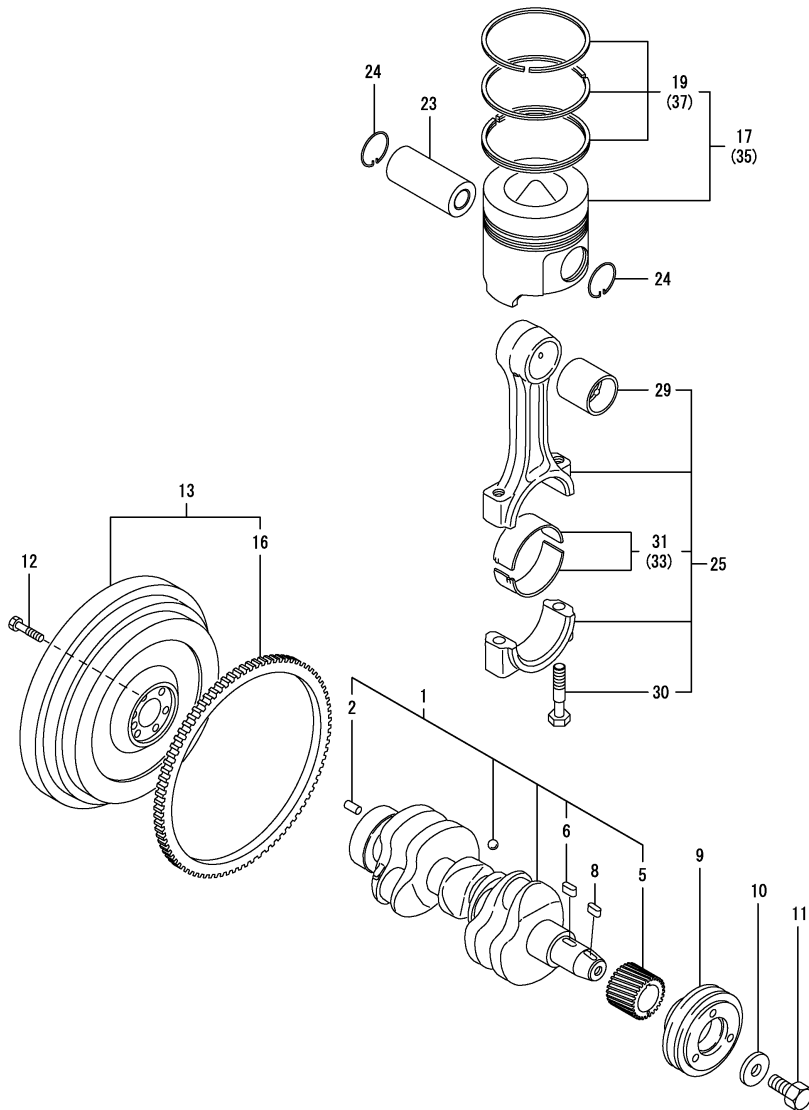


REF.	LEV.	PARTS NO.	DESCRIPTION	QTY						I	R
				(A)	(B)	(C)	(D)	(E)	(F)		
1	1	129150-14200	TAPPET	6							
2	1	119810-14400	ROD, PUSH	6							
3	1	119810-14580	CAMSHAFT ASSY	1							
4	2	129150-02450	METAL,THRUST(CAM	1							
6	2	129150-14101	GEAR, CAMSHAFT	1							
7	2	22512-070140	KEY 7X 14	1							
8	1	26106-080142	BOLT M 8X 14 PLATED	2							
9	1	129100-25061	SHAFT, IDLE GEAR	1							
10	1	129150-25101	GEAR W/BUSH	1							
13	2	129150-25920	BUSH, IDLE GEAR	1							1
14	1	26106-080452	BOLT M 8X 45 PLATED	2							
15	1	129150-25931	GEAR	1							
16	1	129150-25301	BOLT,FI-P	4							
17	1	129150-01881	GASKET, (NON ASB.)	1							
18	1	129150-26000	DRIVING SET, HO-PUMP	1							
19	2	129150-26050	BRACKET, HO-P	1							
21	2	24105-060064	BALL BEARING	2							

Remarks
 (1) REPAIR PART.
 (REMARKS)"EFFECTIVE MACHINE NO." OF
 ENGINE IS INDICATED ON THE
 ENGINE LABEL WHICH IS SHOWN
 IN FIG.4.

Fig.8. CRANKSHAFT & PISTON

(A)=3TNE82A-ERFM (D)=
 (B)= (E)=
 (C)= (F)=

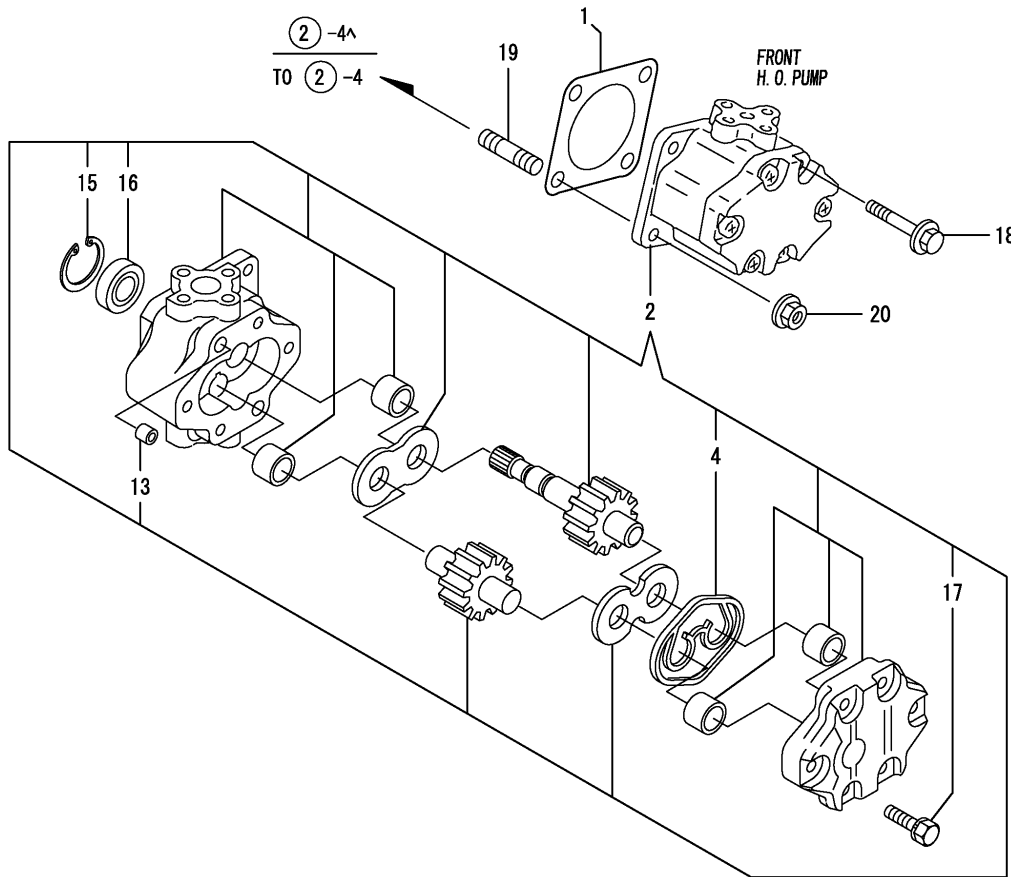


REF.	LEV.	PARTS NO.	DESCRIPTION	QTY						I	R
				(A)	(B)	(C)	(D)	(E)	(F)		
1	1	119813-21000	CRANKSHAFT ASSY	1							
2	2	129100-01580	PARALLEL PIN 8X16	1							
5	2	129150-21200	GEAR, CRANKSHAFT	1							
6	2	22512-070140	KEY 7X 14	1							
8	1	22512-070140	KEY 7X 14	1							
9	1	129457-21650	V-PULLEY, CRANKSHAFT	1							
10	1	129795-21661	WASHER	1							
11	1	121850-21680	BOLT, V-PULLEY	1							
12	1	121111-21501	BOLT, FLYWHEEL	6							
13	1	119856-21590	FLYWHEEL COMPL.	1							
16	2	124550-21600	RING GEAR	1							
17	1	119813-22080	PISTON ASSY	3							
19	2	119813-22500	RING SET, PISTON	3							
23	1	119813-22300	PIN, PISTON	3							
24	1	129792-22400	CIRCLIP 23	6							
25	1	719810-23100	ROD ASSY, CONNECTING	3							
29	2	119810-23910	BUSH, PISTON PIN	3							1
30	2	119810-23200	BOLT, CONNECTING ROD	6							
31	2	119810-23600	BEARING, CRANKPIN	3							
33	1	119810-23610	BEARING, PIN U.S.=0.25	3							3
35	1	119813-22900	PISTON W/RING OS=.25	3							2
37	2	129003-22950	RING SET O.S.=0.25	3							2

Remarks
 (1) REPAIR PART.
 (2) OVER-SIZE(O.S=0.25)PART.
 (3) UNDER-SIZE(U.S=0.25)PART.
 (REMARKS)"EFFECTIVE MACHINE NO." OF
 ENGINE IS INDICATED ON THE
 ENGINE LABEL WHICH IS SHOWN
 IN FIG.4.

Fig.9. HYDRAULIC PUMP

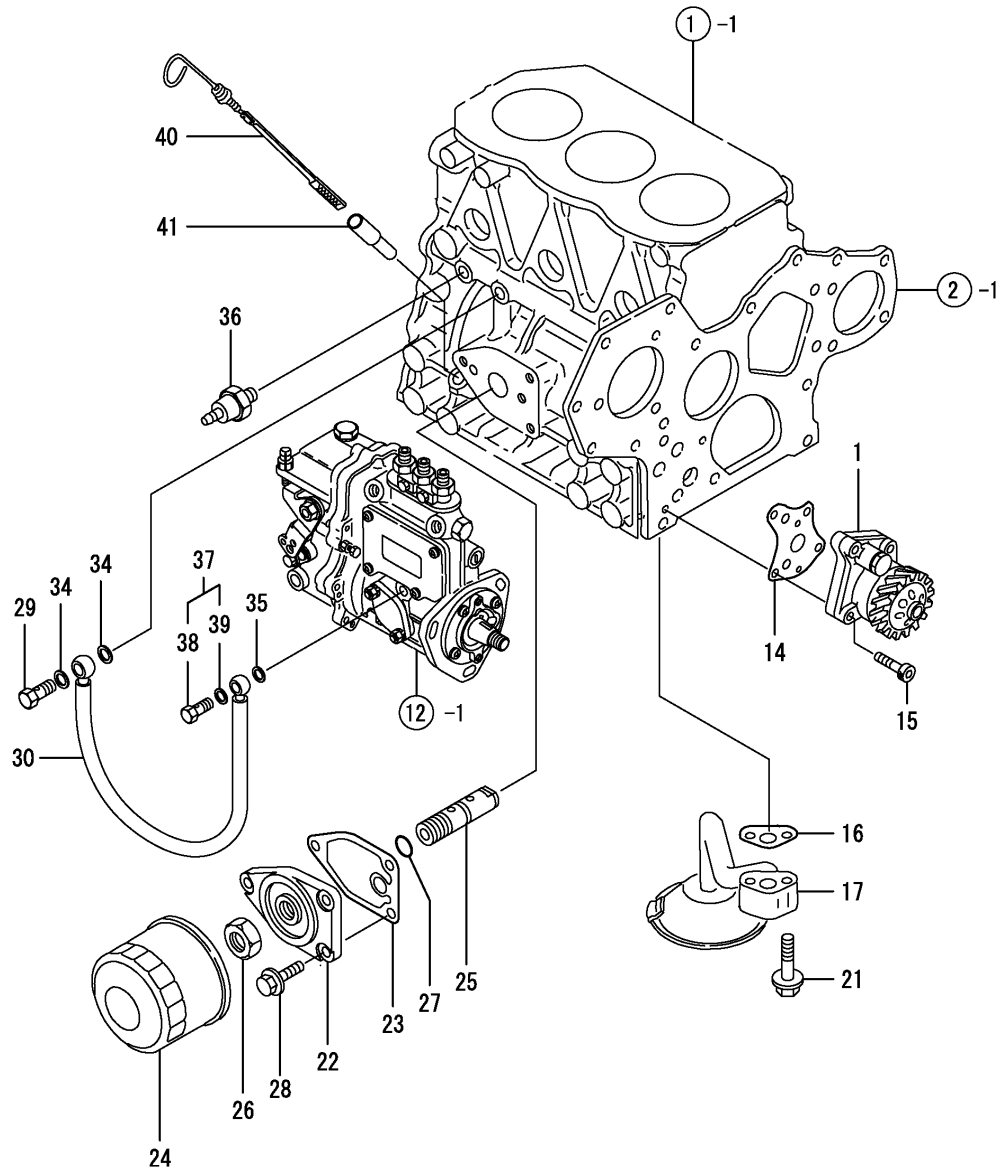
(A)=3TNE82A-ERFM (D)=
 (B)= (E)=
 (C)= (F)=



REF.	LEV.	PARTS NO.	DESCRIPTION	QTY						I	R
				(A)	(B)	(C)	(D)	(E)	(F)		
1	1	124240-01883	GASKET, (NON-ASB.)	1							
2	1	198011-41110	PUMP PW1-C-4C, HYDRO.	1							
4	2	178070-10401	SQUARE RING	1							
13	2	194521-41570	PIN 11X7	2							
15	2	22252-000320	CIRCLIP 32	1							
16	2	24421-153207	SEAL TC15 32 07, OIL	1							
17	2	26016-080352	BOLT M 8X 35	4							
18	1	26106-080802	BOLT M 8X 80 PLATED	2							
19	1	26216-080222	STUD M 8X 22 PLATED	2							
20	1	26306-080002	NUT	2							

Remarks
 (REMARKS)"EFFECTIVE MACHINE NO." OF
 ENGINE IS INDICATED ON THE
 ENGINE LABEL WHICH IS SHOWN
 IN FIG.4.

Fig.10. LUBRICATING OIL SYSTEM



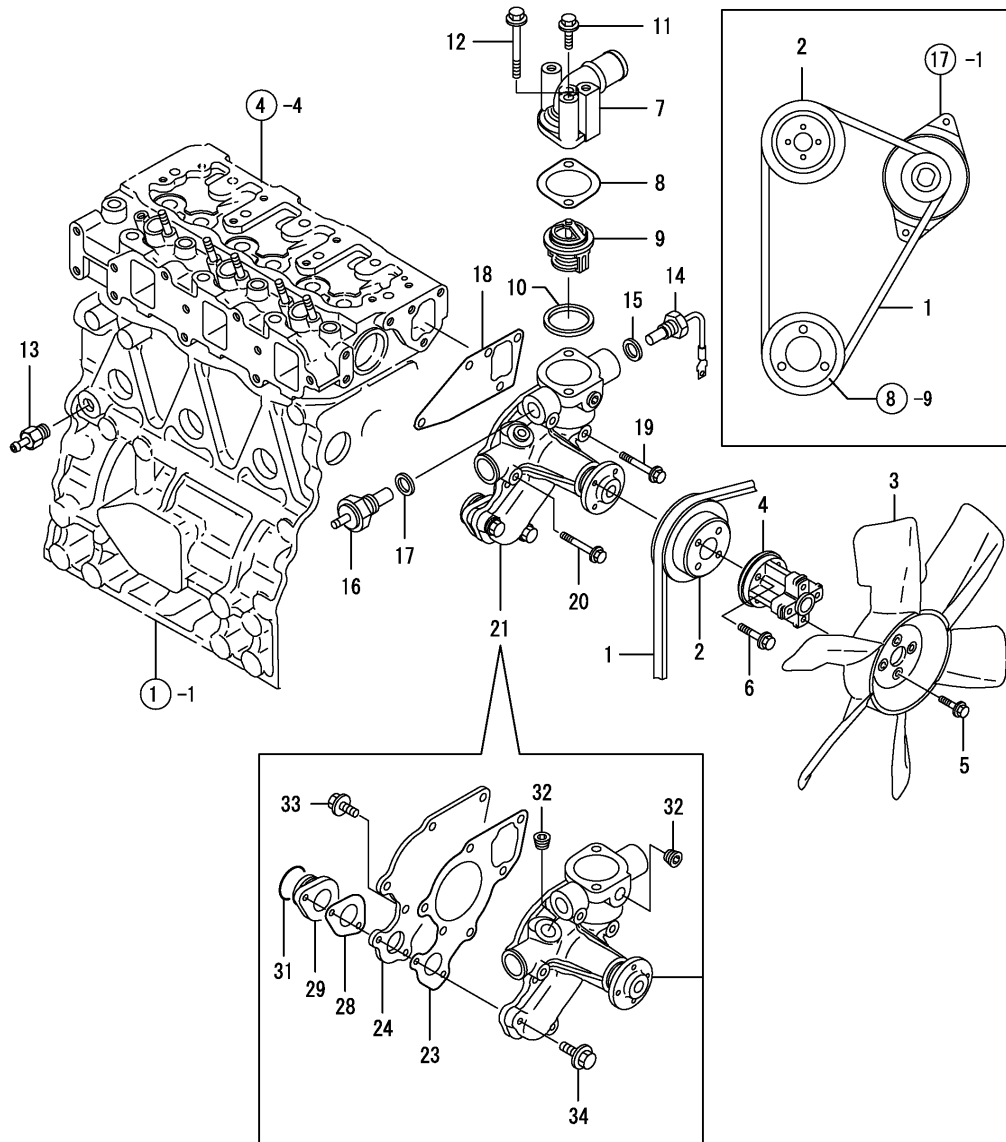
(A)=3TNE82A-ERFM (D)=
 (B)= (E)=
 (C)= (F)=

REF.	LEV.	PARTS NO.	DESCRIPTION	QTY						I	R
				(A)	(B)	(C)	(D)	(E)	(F)		
1	1	129001-32001	PUMP ASSY, LUB. OIL	1							
14	1	129150-32020	GASKET, L.O. PUMP	1							
15	1	26450-060252	BOLT M 6X 25	4							
16	1	129150-35041	GASKET, (NON-ASB.)	1							
17	1	119810-35401	PIPE ASSY, OIL INLET	1							
21	1	26106-080352	BOLT M 8X 35 PLATED	2							
22	1	129150-35101	BRACKET, STRAINER	1							
23	1	129150-35111	GASKET, (NON-ASB.)	1							
24	1	129150-35151	FILTER 80X80L	1							
25	1	129001-35300	BOLT,LUB.O. STRAINER	1							
26	1	129150-35350	NUT	1							
27	1	24311-000160	O-RING 1A P-16.0	1							
28	1	26106-080202	BOLT M 8X 20 PLATED	3							
29	1	124160-39140	BOLT 10, PIPE JOINT	1							
30	1	119810-39200	PIPE ASSY, LUB. OIL	1							
34	1	22190-100002	SEAL WASHER 10S	2							
35	1	22190-080002	SEAL WASHER 8S	1							
36	1	114250-39450	SWITCH,(0.5KG)L.O.	1							
37	1	124550-59830	BOLT W/ SEAL WASHER	1							
38	2	124550-59820	BOLT 8, PIPE JOINT	1							
39	2	22190-080002	SEAL WASHER 8S	1							
40	1	119600-34800	DIPSTICK, LUB. OIL	1							
41	1	121520-34810	GUIDE, DIPSTICK	1							

Remarks
 (REMARKS)"EFFECTIVE MACHINE NO." OF
 ENGINE IS INDICATED ON THE
 ENGINE LABEL WHICH IS SHOWN
 IN FIG.4.

(A)=3TNE82A-ERFM (D)=
 (B)= (E)=
 (C)= (F)=

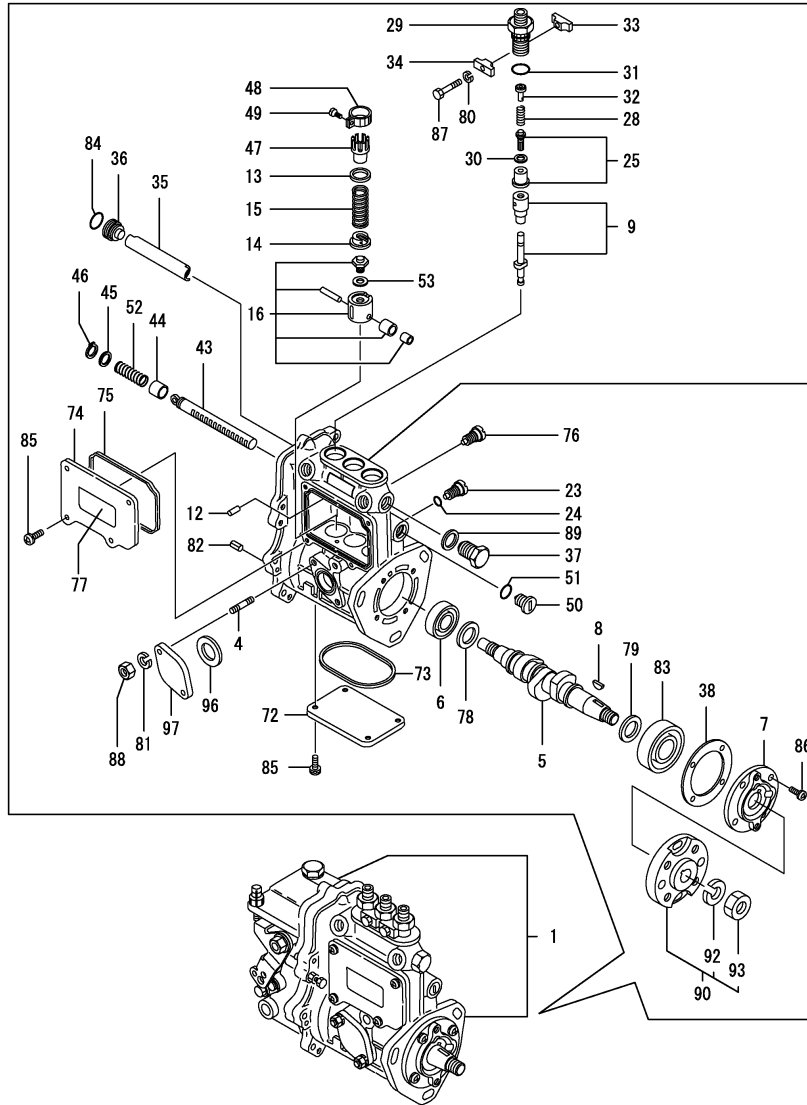
Fig.11. COOLING WATER SYSTEM



REF.	LEV.	PARTS NO.	DESCRIPTION	QTY						I	R
				(A)	(B)	(C)	(D)	(E)	(F)		
1	1	119856-42290	V-BELT A37	1							
2	1	129403-42380	V-PULLEY(D=110)	1							
3	1	119653-44740	FAN D=320	1							
4	1	129450-44761	SPACER	1							
5	1	26106-060162	BOLT M 6X 16 PLATED	4							
6	1	26106-060252	BOLT M 6X 25 PLATED	4							
7	1	119853-49530	COVER, THERMOSTAT	1							
8	1	129795-49551	GASKET, (NON-ASB.)	1							
9	1	129155-49800	THERMOSTAT	1							
10	1	129150-49811	GASKET, (NON-ASB.)	1							
11	1	26106-080252	BOLT M 8X 25 PLATED	1							
12	1	26106-080652	BOLT M 8X 65 PLATED	1							
13	1	121550-49111	JOINT PT1/4	1							
14	1	129107-44901	SENSOR,HOT WATER	1							
15	1	124465-44950	GASKET 16	1							
16	1	124250-49351	THERMOMETER	1							
17	1	129150-49360	GASKET 10	1							
18	1	129486-42050	GASKET	1							
19	1	26106-080352	BOLT M 8X 35 PLATED	1							
20	1	26106-080552	BOLT M 8X 55 PLATED	3							
21	1	119823-42000	PUMP ASSY, C.W.	1							
23	2	119810-42051	GASKET, (NON-ASB.)	1							
24	2	119810-42120	PLATE	1							
28	2	119810-42281	GASKET, (NON-ASB.)	1							
29	2	119810-42290	PIPE, C.W. PUMP	1							
31	2	129150-42320	O-RING	1							
32	2	23876-030000	PLUG PT3/8,SCREW	2							
33	2	26106-060142	BOLT M 6X 14 PLATED	2							
34	2	26106-060202	BOLT M 6X 20 PLATED	2							

Remarks
 (REMARKS)"EFFECTIVE MACHINE NO." OF
 ENGINE IS INDICATED ON THE
 ENGINE LABEL WHICH IS SHOWN
 IN FIG.4.

Fig.12. FUEL OIL INJECTION PUMP



Remarks
 (1) GOVERNOR (FIG. NO. 13) IS INCORPORATED IN THIS FUEL INJECTION PUMP. (REF. NO. 1).
 (REMARKS) "EFFECTIVE MACHINE NO." OF ENGINE IS INDICATED ON THE ENGINE LABEL WHICH IS SHOWN IN FIG. 4.

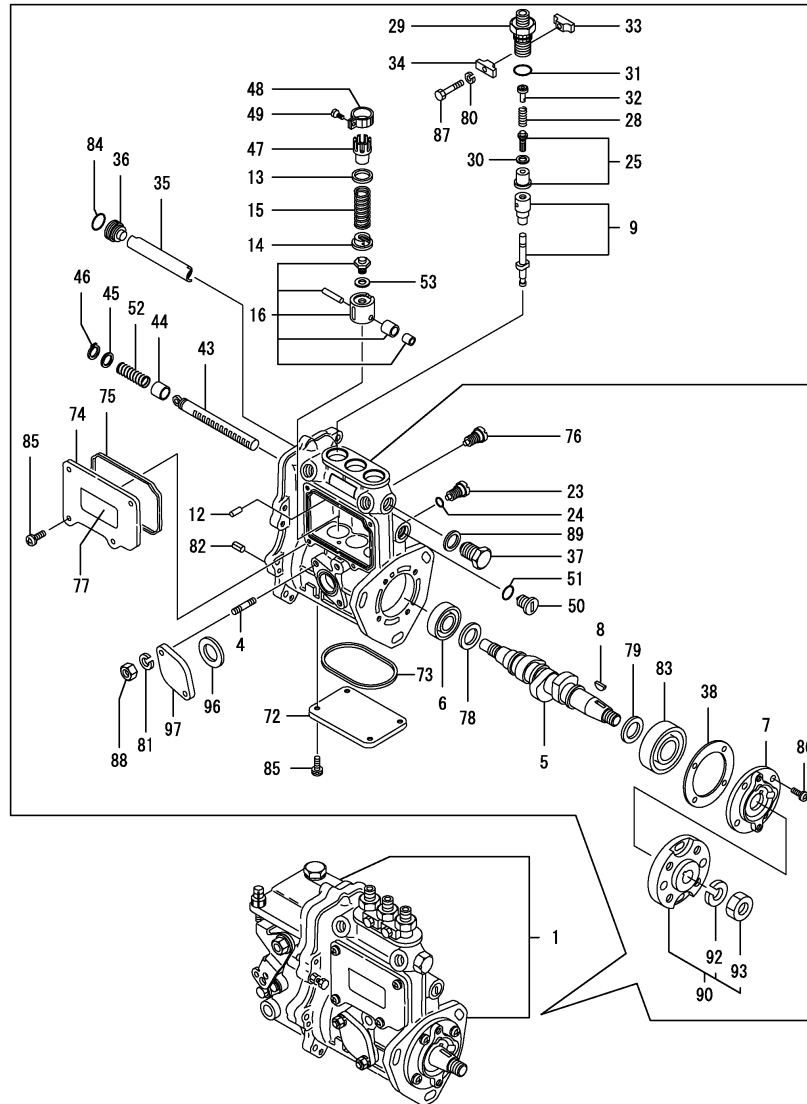
(A)=3TNE82A-ERFM (D)=
 (B)= (E)=
 (C)= (F)=

REF.	LEV.	PARTS NO.	DESCRIPTION	QTY						I	R
				(A)	(B)	(C)	(D)	(E)	(F)		
1	1	719853-51450	PUMP ASSY, F.INJECT	1							1
4	2	129155-51020	STUD, FEED PUMP	2							
5	2	129121-51040	CAMSHAFT, FUEL	1							
6	2	129155-51051	RETAINER	1							
7	2	129208-51060	SUPPORT	1							
8	2	122710-51090	KEY	1							
9	2	129108-51100	PLUNGER W/BARREL	3							
12	2	129155-51140	PIN, BARREL LOCKING	3							
13	2	174307-51170	RETAINER A	3							
14	2	129155-51180	SPRING SHOE, PLUNGER	3							
15	2	124950-51190	SPRING, PLUNGER	3							
16	2	129155-51200	TAPPET ASSY	3							
23	2	129155-51270	LOCKING, TAPPET	3							
24	2	129155-51280	O-RING S6	3							
25	2	129208-51300	VALVE, DELIVERY	3							
28	2	129573-51330	SPRING, DELY. VALVE	3							
29	2	129573-51340	GUARD, DELY. VALVE	3							
30	2	124550-51350	GASKET, DELIVERY	3							
31	2	124550-51370	O-RING, DELIVERY	3							
32	2	129573-51370	STOPPER, VALVE	3							
33	2	129155-51380	LOCKING (A)	2							
34	2	129155-51390	LOCKING (B)	2							
35	2	129155-51400	DEFLECTOR	1							
36	2	129155-51410	CHECK BOLT, DEFLECTOR	1							
37	2	129155-51420	PLUG (M16)	1							
38	2	129155-51450	SHIM SET, ADJUSTING	1							
43	2	129155-51500	RACK, CONTROL	1							
44	2	129155-51521	BUSH, RACK	1							
45	2	129155-51530	SPACER, AUX. SPRING	1							
46	2	129155-51540	CIRCLIP	1							
47	2	129155-51550	PINION, CONTROL	3							
48	2	129100-51560	PINION	3							
49	2	129100-51570	SCREW	3							
50	2	129155-51570	PLUG (M12)	1							
51	2	129155-51580	O-RING	1							
52	2	129155-51591	SPRING, RACK	1							
53	2	129155-51600	SHIM PACK	3							
72	2	129155-51701	COVER	1							
73	2	129155-51711	PACKING	1							
74	2	129155-51751	COVER, SIDE	1							
75	2	129155-51760	GASKET, SIDE COVER	1							
76	2	129155-51790	LOCKING, RACK	1							
77	2	129156-51910	LABEL, CAUTION	1							
78	2	129155-51930	SPACER T=3.25	1							
79	2	129155-51940	SPACER T=1.5	1							
80	2	22217-050000	SPRING WASHER 5	2							
81	2	22217-060000	SPRING WASHER 6	2							
82	2	22351-050010	SPRING PIN 5X10	2							
83	2	24101-063034	BALL BEARING	1							
84	2	24341-000160	O-RING 1A S-16.0	1							
85	2	26022-050122	SCREW M 5X 12	8							
86	2	26022-060162	SCREW M 6X 16	4							
87	2	26116-050302	BOLT M 5X 30 PLATED	2							
88	2	26716-060002	NUT 6	2							

++ CONTINUE ++

(A)=3TNE82A-ERFM (D)=
 (B)= (E)=
 (C)= (F)=

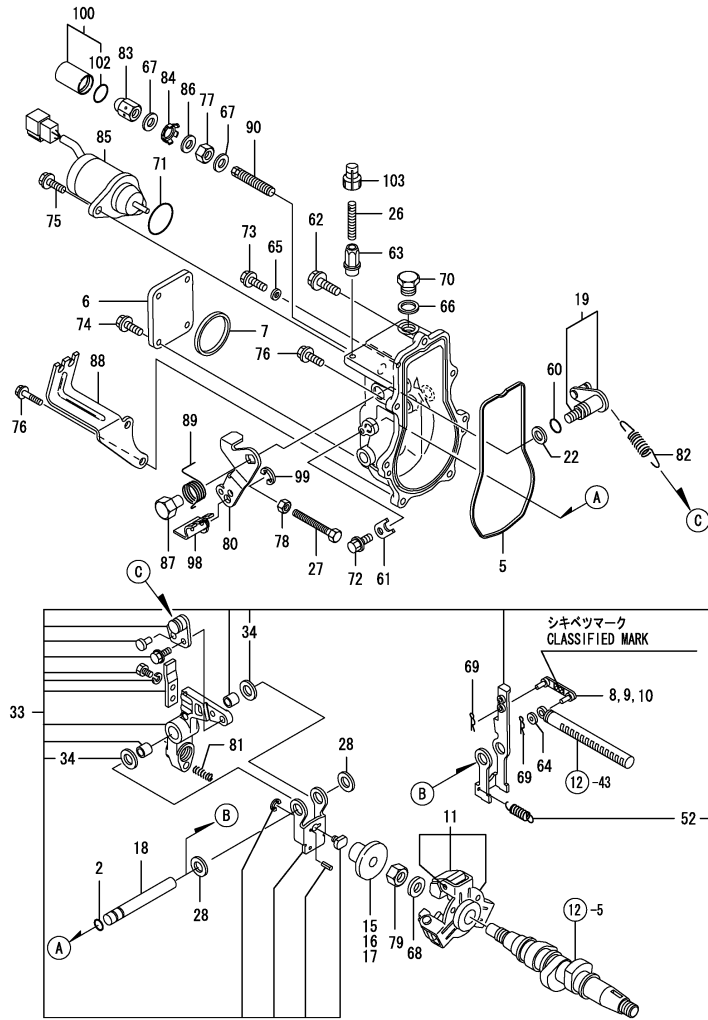
Fig.12. FUEL OIL INJECTION PUMP



REF.	LEV.	PARTS NO.	DESCRIPTION	QTY						I	R	
				(A)	(B)	(C)	(D)	(E)	(F)			
89	2	22190-160002	SEAL WASHER 16S		1							
90	2	129208-54500	FLANGE ASSY		1							
92	3	22217-120000	SPRING WASHER		1							
93	3	26716-120002	NUT 12		1							
96	2	129155-52050	GASKET		1							
97	2	129100-52200	COVER		1							

Remarks
 (1) GOVERNOR (FIG. NO. 13) IS INCORPORATED IN THIS FUEL INJECTION PUMP. (REF. NO. 1).
 (REMARKS) "EFFECTIVE MACHINE NO." OF ENGINE IS INDICATED ON THE ENGINE LABEL WHICH IS SHOWN IN FIG. 4.

Fig.13. GOVERNOR



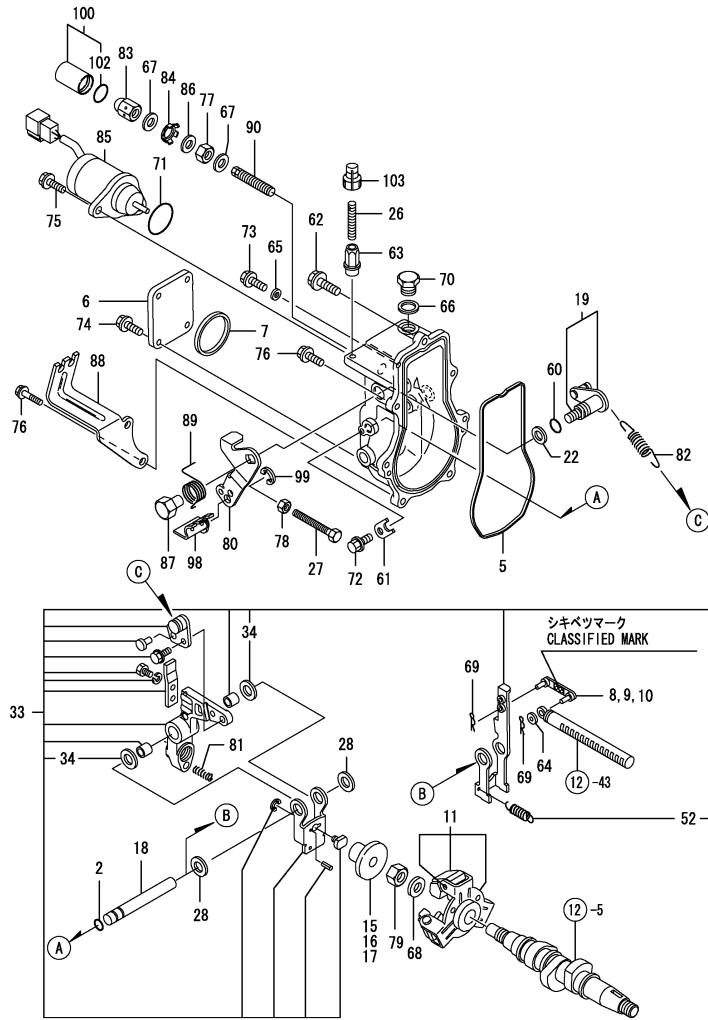
Remarks
 (1) SELECTIVE PARTS: CERTAIN THE CLASSIFICATION MARK, THEN PLACE YOUR ORDER.(REFER TO ILLUSTRATION)
 (2) SELECTIVE PART.
 * THIS FIGURE(GOVERNOR ASSY) IS INCORPORATED IN THE FUEL INJECTION PUMP ASSY(FIG.12).
 (REMARKS)"EFFECTIVE MACHINE NO." OF ENGINE IS INDICATED ON THE ENGINE LABEL WHICH IS SHOWN IN FIG.4.

(A)=3TNE82A-ERFM (D)=
 (B)= (E)=
 (C)= (F)=

REF.	LEV.	PARTS NO.	DESCRIPTION	QTY						I	R
				(A)	(B)	(C)	(D)	(E)	(F)		
2	2	129155-51280	O-RING S6	1							
5	2	129052-61050	PACKING	1							
6	2	129052-61060	COVER	1							
7	2	129052-61070	PACKING	1							
8	2	129155-61120	LINK L=30(MARK 0	1							1
9	2	129155-61130	LINK L=31(MARK 1	1							1
10	2	129155-61140	LINK L=30.5(MARK 05)	1							1
11	2	129486-61201	WEIGHT ASSY,GOVERNOR	1							
15	2	129155-61341	SLEEVE	1							2
16	2	129155-61350	SLEEVE	1							2
17	2	129155-61360	SLEEVE	1							2
18	2	129052-61390	SHAFT, GOV. LEVER	1							
19	2	129100-61400	SHAFT ASSY, CONTROL	1							
22	2	129155-61430	SPACER, SHAFT	1							
26	2	129155-61450	BOLT, REVOL. LIMIT	1							
27	2	129155-61460	BOLT, IDLE LIMIT	1							
28	2	129155-61480	SPACER ASSY	2							
33	2	119908-61501	LEVER ASSY,GOVERNOR	1							
34	3	174307-51700	SHIM SET	2							
52	3	129486-61540	SPRING, SET	1							
60	2	129155-61830	O-RING S10	1							
61	2	119660-61901	RETAINER, SHAFT	1							
62	2	129155-61950	BOLT, WASHER BASED	1							
63	2	129209-61370	NUT M6	1							
64	2	22117-040000	WASHER 4	1							
65	2	22190-060003	SEAL WASER 6	1							
66	2	22190-100002	SEAL WASHER 10S	1							
67	2	22190-120002	SEAL WASHER 12	2							
68	2	22287-120000	WASHER 12	1							
69	2	22372-040000	SNAP PIN 4	2							
70	2	23887-100002	PLUG 10	1							
71	2	24341-000280	O-RING 1A S-28.0	1							
72	2	26106-060102	BOLT M 6X 10 PLATED	1							
73	2	26106-060102	BOLT M 6X 10 PLATED	1							
74	2	26106-060102	BOLT M 6X 10 PLATED	4							
75	2	26106-060142	BOLT M 6X 14 PLATED	2							
76	2	26106-060202	BOLT M 6X 20 PLATED	6							
77	2	26736-120002	NUT M12	1							
78	2	26756-060002	LOCK NUT 6	1							
79	2	26776-120002	LOCK NUT M12 PLATED	1							
80	2	129100-61440	LEVER, CONTROL	1							
81	2	129100-61650	SPRING, FUEL CONTROL	1							
82	2	171353-61710	SPRING, GOVERNOR	1							
83	2	129209-61930	CAP NUT	1							
84	2	129209-61970	PLATE	1							
85	2	119653-77950	SOLENOID, STOP	1							
86	2	23414-120016	GASKET 12	1							
87	2	129255-61410	NUT	1							
88	2	129052-61080	SUPPORT, ACCEL WIRE	1							
89	2	129255-61420	SPRING	1							
90	1	129209-61450	LIMITER ASSY	1							
98	1	129052-61490	HOOK	1							
99	1	22272-000070	CIRCLIP E- 7	1							
100	1	129209-61940	CASE ASSY	1							

++ CONTINUE ++

Fig.13. GOVERNOR



(A)=3TNE82A-ERFM (D)=
 (B)= (E)=
 (C)= (F)=

REF.	LEV.	PARTS NO.	DESCRIPTION	----- QTY -----						I	R
				(A)	(B)	(C)	(D)	(E)	(F)		
102	2	24311-000150	O-RING 1A P-15.0		1						
103	1	119285-66610	CAP, HIGH-IDLE		1						

Remarks

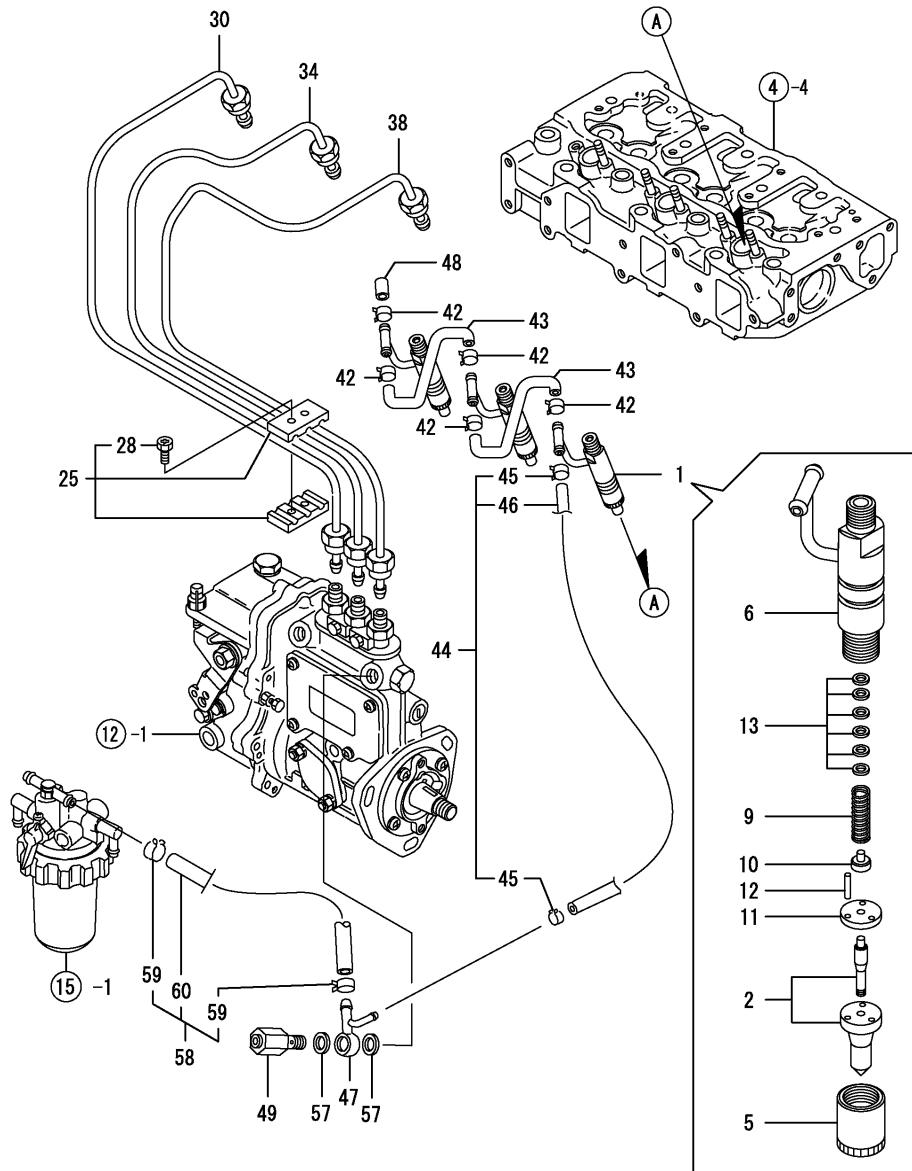
- (1) SELECTIVE PARTS: CERTAIN THE CLASSIFICATION MARK, THEN PLACE YOUR ORDER.(REFER TO ILLUSTRATION
- (2) SELECTIVE PART.

* THIS FIGURE(GOVERNOR ASSY) IS INCORPORATED IN THE FUEL INJECTION PUMP ASSY(FIG.12).

(REMARKS)"EFFECTIVE MACHINE NO." OF ENGINE IS INDICATED ON THE ENGINE LABEL WHICH IS SHOWN IN FIG.4.

Fig.14. FUEL OIL INJECTION VALVE

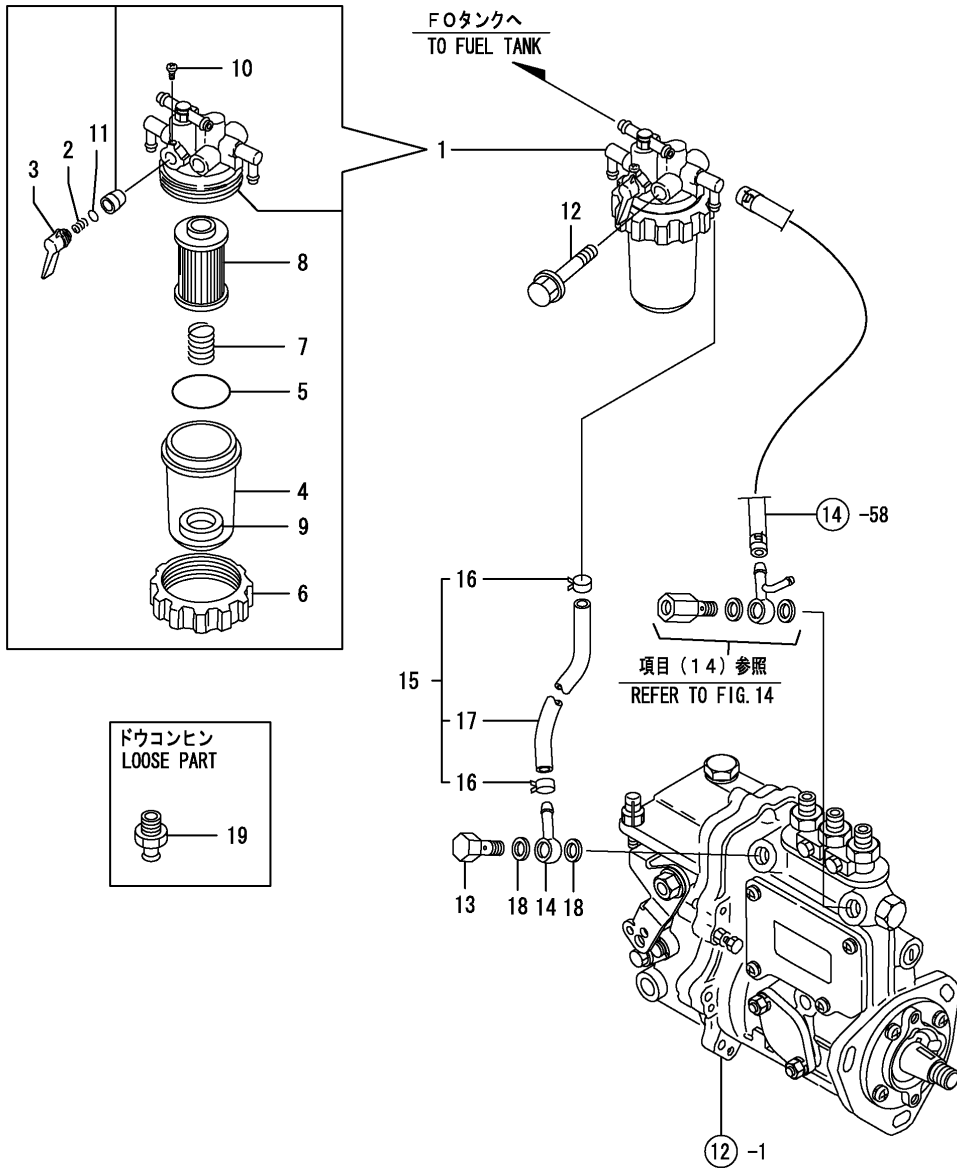
(A)=3TNE82A-ERFM (D)=
 (B)= (E)=
 (C)= (F)=



REF.	LEV.	PARTS NO.	DESCRIPTION	QTY						I	R
				(A)	(B)	(C)	(D)	(E)	(F)		
1	1	729609-53200	VALVE ASSY, F.INJECT	3							
2	2	129609-53100	NOZZLE ASSY	3							
5	2	114250-53080	NUT, NOZZLE CASE	3							
6	2	129100-53100	HOLDER ASSY, NOZZLE	3							
9	2	114250-53120	SPRING, NOZZLE	3							
10	2	114250-53130	SEAT, NOZZLE SPRING	3							
11	2	114250-53140	PLATE, STOP	3							
12	2	114250-53210	PIN	6							
13	2	114250-53400	SHIM PACK	3							
25	1	129150-59120	RETAINER, INJ. PIPE	1							
28	2	129150-59131	BOLT M4X14,HEX.SCKT.	2							
30	1	119810-59810	PIPE, FUEL INJECTION	1							
34	1	119810-59820	PIPE, FUEL INJECTION	1							
38	1	119810-59830	PIPE, FUEL INJECTION	1							
42	1	124066-59100	CLAMP 8	5							
43	1	121250-59550	PIPE, FUEL	2							
44	1	119840-59500	PIPE ASSY, RETURN	1							
45	2	124066-59100	CLAMP 8	2							
46	2	119840-59560	PIPE, FUEL RETURN	1							
47	1	119840-59570	JOINT	1							
48	1	129150-59580	CAP	1							
49	1	129100-59951	VALVE ASSY, CHECK	1							
57	1	22190-120002	SEAL WASHER 12	2							
58	1	129210-59120	PIPE ASSY, FUEL	1							
59	2	124766-59050	CLAMP 12	2							
60	2	129211-59510	PIPE, FUEL	1							

Remarks
 (REMARKS)"EFFECTIVE MACHINE NO." OF
 ENGINE IS INDICATED ON THE
 ENGINE LABEL WHICH IS SHOWN
 IN FIG.4.

Fig.15. FUEL OIL LINE

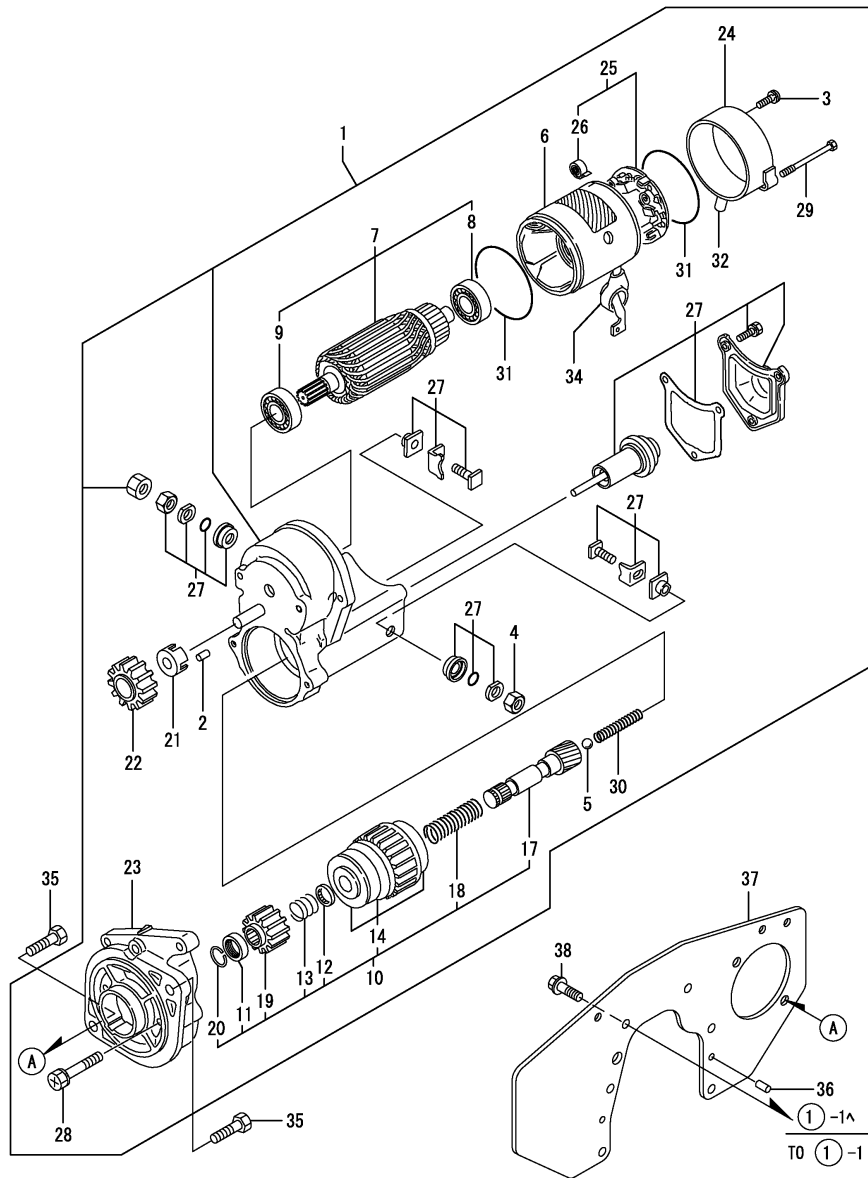


(A)=3TNE82A-ERFM (D)=
 (B)= (E)=
 (C)= (F)=

REF.	LEV.	PARTS NO.	DESCRIPTION	QTY						I	R
				(A)	(B)	(C)	(D)	(E)	(F)		
1	1	129053-55620	FILTER ASSY, FUEL OI	1							
2	2	104200-55330	SPRING, TAPER VALVE	1							
3	2	119810-55340	LEVER	1							
4	2	129107-55510	CUP,STRAINER	1							
5	2	102103-55520	O-RING	1							
6	2	110250-55610	RING, RETAINING	1							
7	2	121257-55720	SPRING, SCREEN	1							
8	2	119810-55650	ELEMENT	1							
9	2	121257-55731	FLOAT	1							
10	2	104200-55750	SCREW M 4	1							
11	2	24311-240100	O-RING 1A P-10A	1							
12	1	26106-080652	BOLT M 8X 65 PLATED	1							
13	1	103854-39140	BOLT, PIPE JOINT	1							
14	1	101304-59020	JOINT 12, PIPE	1							
15	1	129210-59030	PIPE ASSY, FUEL OIL	1							
16	2	124766-59050	CLAMP 12	2							
17	2	129150-59511	PIPE, FUEL OIL	1							
18	1	22190-120002	SEAL WASHER 12	2							
19	1	121120-59990	JOINT	1							

Remarks
 (REMARKS)"EFFECTIVE MACHINE NO." OF
 ENGINE IS INDICATED ON THE
 ENGINE LABEL WHICH IS SHOWN
 IN FIG.4.

Fig.16. STARTING MOTOR



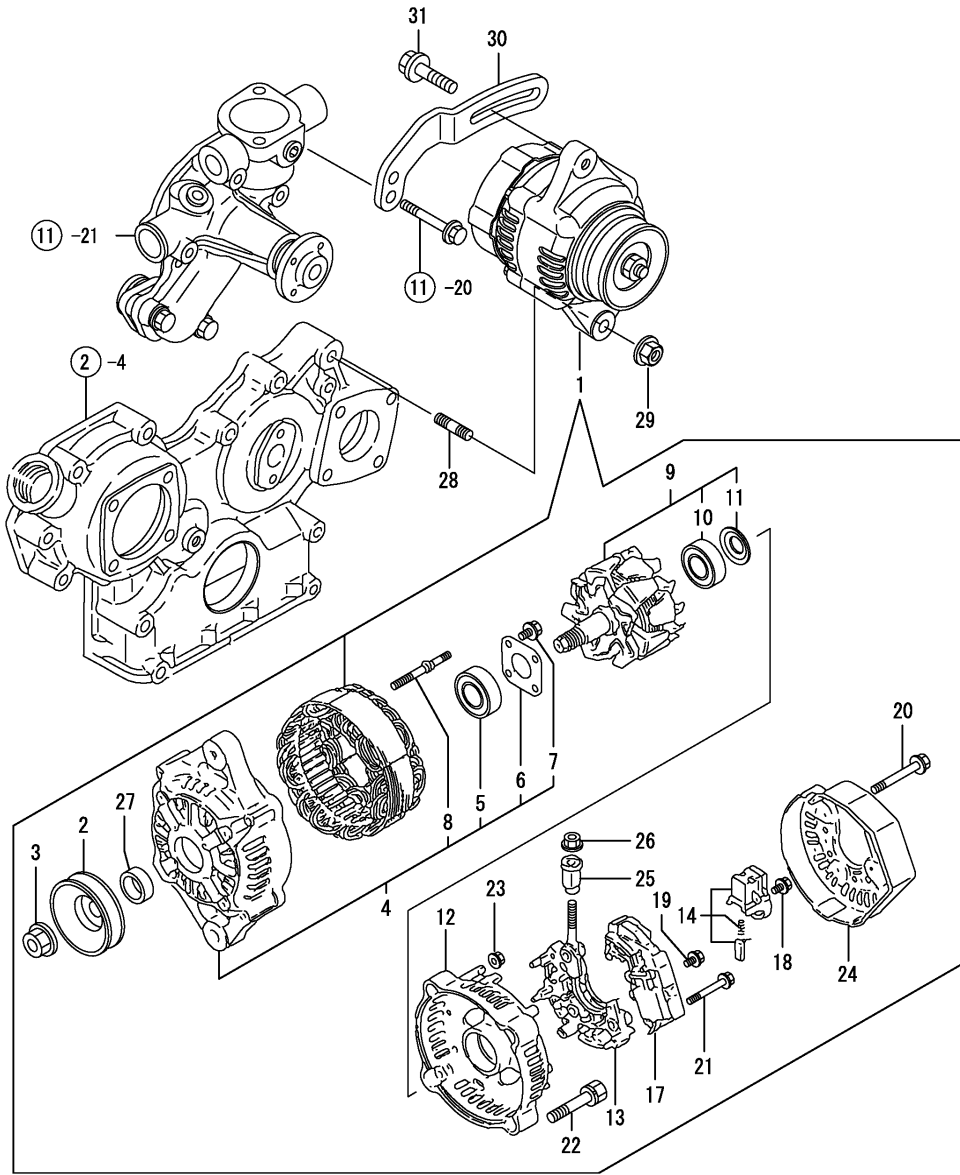
(A)=3TNE82A-ERFM (D)=
(B)= (E)=
(C)= (F)=

REF.	LEV.	PARTS NO.	DESCRIPTION	QTY						I	R
				(A)	(B)	(C)	(D)	(E)	(F)		
1	1	129129-77010	STARTER ASSY	1							
2	2	X0283060061	ROLLER		5						
3	2	129129-77460	SCREW		2						
4	2	X9490561370	NUT		1						
5	2	X9491200240	BALL		1						
6	2	129129-77210	YOKE ASSY		1						
7	2	129129-77220	ARMATURE ASSY		1						
8	3	129129-77230	BEARING		1						
9	3	129129-77240	BEARING		1						
10	2	129129-77250	STARTER ASSY		1						
11	3	X0280210230	NUT		1						
12	3	X0283270140	RETAINER		1						
13	3	X9491703371	SPRING, COIL		1						
14	3	129129-77390	CLUTCH ASSY, STARTER		1						
17	3	129129-77400	SHAFT		1						
18	3	129129-77410	SPRING, COIL		1						
19	3	129129-77420	PINION		1						
20	3	129129-77430	RING		1						
21	2	129129-77260	RETAINER		1						
22	2	129129-77270	PINION		1						
23	2	129129-77280	HOUSING		1						
24	2	129129-77290	FRAME		1						
25	2	129129-77300	HOLDER ASSY		1						
26	3	X9491730461	SPRING		4						
27	2	129129-77310	SWITCH ASSY		1						
28	2	129129-77320	BOLT		2						
29	2	129129-77330	BOLT		2						
30	2	129129-77340	SPRING		1						
31	2	129129-77350	O-RING		2						
32	2	129129-77362	COVER		1						
34	2	129129-77380	CAP		1						
35	1	26116-120252	BOLT M12X 25 PLATED		2						
36	1	129100-01580	PARALLEL PIN 8X16		2						
37	1	119853-77050	BRACKET, STARTER		1						
38	1	26206-100202	BOLT M10X20		6						

Remarks
(REMARKS)"EFFECTIVE MACHINE NO." OF
ENGINE IS INDICATED ON THE
ENGINE LABEL WHICH IS SHOWN
IN FIG.4.

Fig.17. GENERATOR

(A)=3TNE82A-ERFM (D)=
 (B)= (E)=
 (C)= (F)=

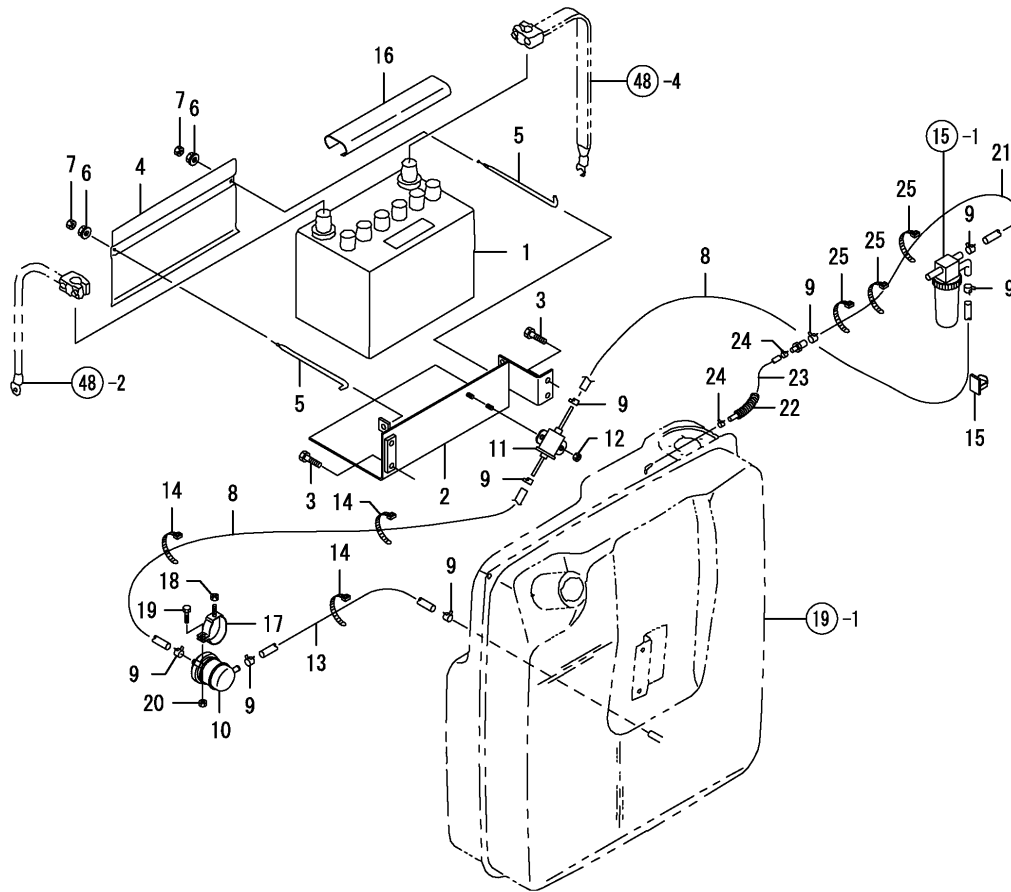


REF.	LEV.	PARTS NO.	DESCRIPTION	QTY						I	R
				(A)	(B)	(C)	(D)	(E)	(F)		
1	1	129052-77201	GENERATOR 12V-40A	1							
2	2	119620-77461	PULLEY	1							
3	2	119620-77471	NUT	1							
4	2	129052-77421	FRAME ASSY	1							
5	3	119620-79200	BALL BEARING	1							
6	3	119620-79210	PLATE	1							
7	3	119620-79220	SCREW	4							
8	3	119620-79230	BOLT, STUD	2							
9	2	119620-77380	ROTOR ASSY	1							
10	3	123501-79240	BEARING, BALL	1							
11	3	119620-79250	COVER, BEARING	1							
12	2	119620-77440	FLAME ASSY, REAR	1							
13	2	119620-79260	HOLDER	1							
14	2	129052-79270	HOLDER, BRUSH	1							
17	2	119620-77710	REGULATOR ASSY	1							
18	2	119620-79290	SCREW	6							
19	2	119620-79300	SCREW	1							
20	2	119620-79310	BOLT	3							
21	2	119620-79320	SCREW W/WASHER	2							
22	2	119620-79330	BOLT	2							
23	2	119620-79350	NUT	2							
24	2	119620-77450	COVER	1							
25	2	119620-79340	INSULATION BUSH	1							
26	2	X9490561001	NUT	1							
27	2	119620-77490	COLLAR	1							
28	1	129795-01900	STUD	1							
29	1	26306-100002	NUT	1							
30	1	119810-77330	ADJUSTER	1							
31	1	119810-77340	BOLT	1							

Remarks
 (REMARKS)"EFFECTIVE MACHINE NO." OF
 ENGINE IS INDICATED ON THE
 ENGINE LABEL WHICH IS SHOWN
 IN FIG.4.

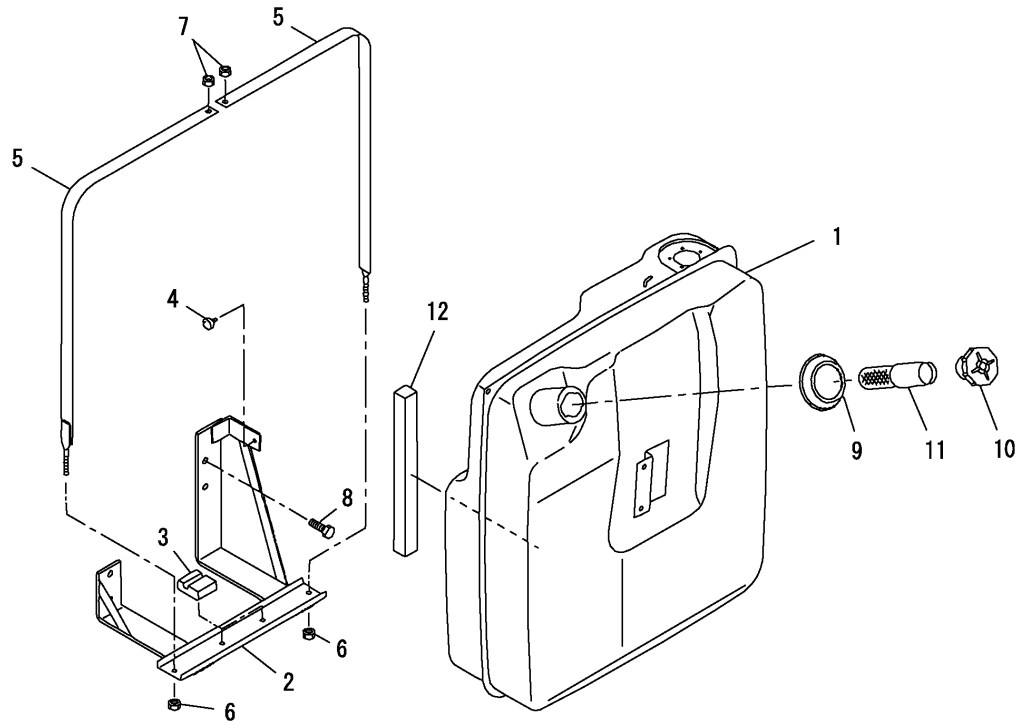
(A)=GE28 (D)=
 (B)= (E)=
 (C)= (F)=

Fig.18. FUEL PIPING & BATTERY



REF.	LEV.	PARTS NO.	DESCRIPTION	QTY						I	R
				(A)	(B)	(C)	(D)	(E)	(F)		
1	1	1W3895-10750	PL.ASSY.,BATTERY	1							
2	1	1W3891-01950	BATTERY STAND	1							
3	1	26013-080252	BOLT M 8X 25	4							
4	1	1W3894-10310	BATTERY COVER	1							
5	1	1W3893-20230	BATTERY ROD	2							
6	1	26367-060002	NUT M 6	2							
7	1	1W0201-00006	NUT	2							
8	1	1W3607-71380	FUEL PIPE;L700	2							
9	1	1W0672-00130	CLIP	8							
10	1	1W3607-20090	ELEMENT	1							
11	1	1W3608-00040	FUEL PUMP	1							
12	1	1W0213-00006	NUT	2							
13	1	1W3607-71000	FUEL PIPE	1							
14	1	1W3987-50220	BAND	3							
15	1	1W3991-12851	CLAMP	1							
16	1	194432-51550	COVER, BATTERY	1							
17	1	1W4601-50030	FILTER STAY	1							
18	1	26367-060002	NUT M 6	1							
19	1	1W0101-10625	BOLT	1							
20	1	1W0213-00006	NUT	1							
21	1	1W3607-71080	PIPE,FUEL	1							
22	1	1W3859-60640	CUBE,COVER	1							
23	1	1W0682-04250	HOSE;L250	1							
24	1	1W0672-00078	HOSE CLIP	2							
25	1	1W3987-50150	BAND	3							

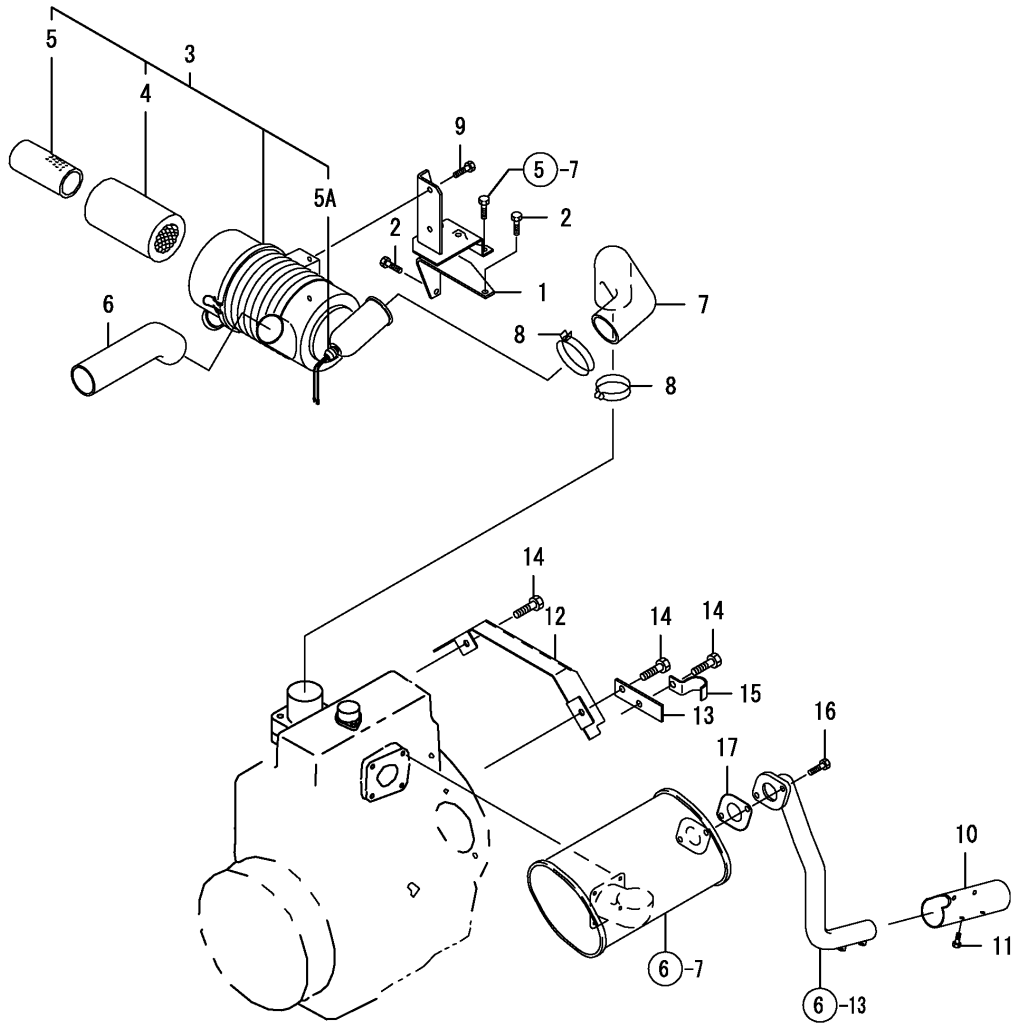
Fig.19. FUEL TANK



(A)=GE28 (D)=
 (B)= (E)=
 (C)= (F)=

REF.	LEV.	PARTS NO.	DESCRIPTION	QTY						I	R
				(A)	(B)	(C)	(D)	(E)	(F)		
1	1	1W3601-02220	PL.ASSY.,TANK	1							
2	1	1W3605-01350	HOLDER;TANK	1							
3	1	1W3981-15530	RUBBER	2							
4	1	1W3981-10110	RUBBER	1							
5	1	1W3602-00670	TANK BAND	2							
6	1	1W0223-00008	U-NUT	2							
7	1	26367-080002	U-NUT M 8	2							
8	1	26013-100252	BOLT W/WASHER M10X25	4							
9	1	1W3981-13570	RUBBER	1							
10	1	1W3603-00080	FILLER CAP	1							
11	1	1W1303-40110	FILTER,FUEL	1							
12	1	1W3981-30310	SPONGE	1							

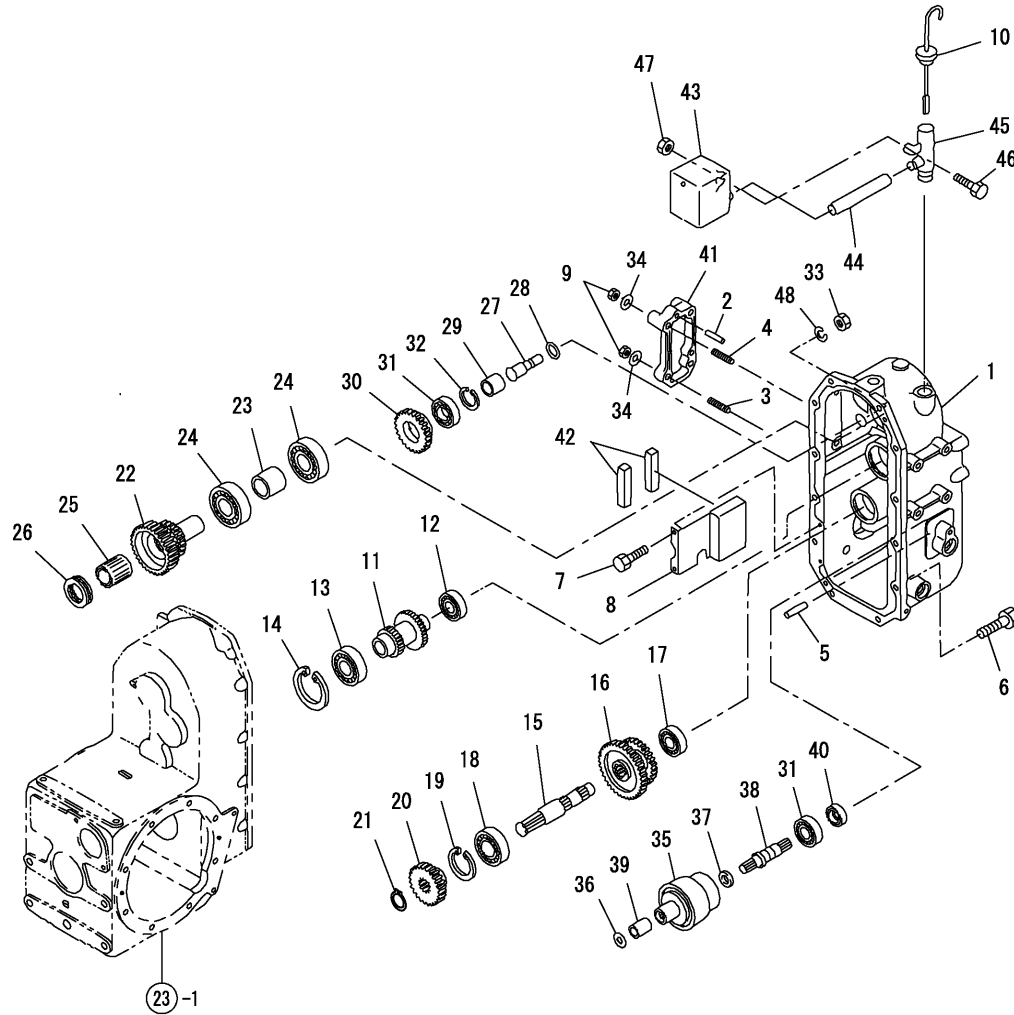
Fig.20. AIR CLEANER & MUFFLER



(A)=GE28 (D)=
 (B)= (E)=
 (C)= (F)=

REF.	LEV.	PARTS NO.	DESCRIPTION	QTY						I	R
				(A)	(B)	(C)	(D)	(E)	(F)		
1	1	1W3146-01530	HOLDER	1							
2	1	26013-080162	BOLT W/WASHER M8X16	2							
3	1	1W3145-00900	AIR CLEANER ASS'Y	1							
4	2	1W3145-31176	AIR FILTER	1							
5	2	1W3145-31177	AIR FILTER	1							
5A	2	1W3145-31182	SENSOR	1							
6	1	1W3145-41250	AIR CLEANER HOSE;IN	1							
7	1	1W3145-41510	AIR CLEANER HOSE;OUT	1							
8	1	1W0671-00065	CLAMP	2							
9	1	1W0108-00816	BOLT	2							
10	1	1W3141-41190	COVER;PIPE EU	1							
11	1	1W0101-09206	BOLT	2							
12	1	1W3507-56050	COVER	1							
13	1	1W3144-30610	STAY	1							
14	1	26013-100202	BOLT W/WASHER M10X20	3							
15	1	1W3991-12120	CLAMP	1							
16	1	26013-080252	BOLT M 8X 25	2							
17	1	1W3149-90120	GASKET	1							

Fig.21. TRANSMISSION



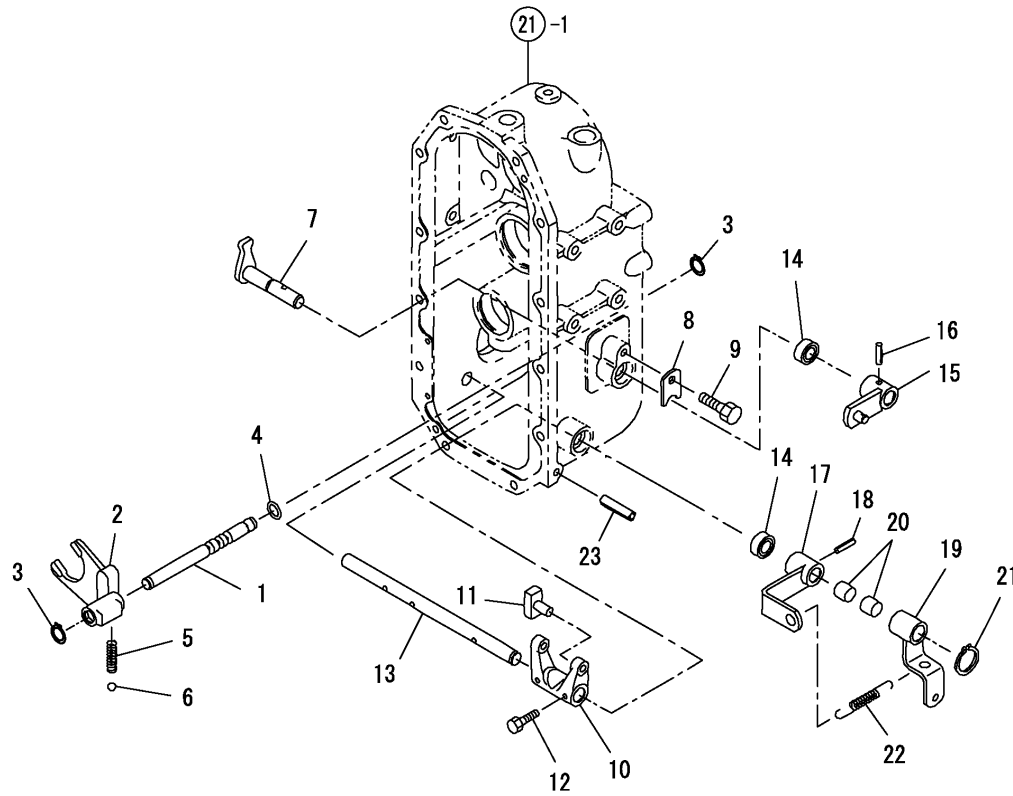
NPC-4019 21. TRANSMISSION

(A)=GE28 (D)=
(B)= (E)=
(C)= (F)=

REF.	LEV.	PARTS NO.	DESCRIPTION	QTY						I	R
				(A)	(B)	(C)	(D)	(E)	(F)		
1	1	1W3221-17181	MISSION CASE	1							
2	1	1W0305-00820	PIN,KNOCK	2							
3	1	1W0121-11035	STUD BOLT	2							
4	1	1W0121-11050	BOLT	2							
5	1	1W0305-01025	PIN,KNOCK	1							
6	1	26013-100302	BOLT M10X 30	10							
7	1	1W0113-10612	BOLT	2							
8	1	1W3995-68660	PLATE	1							
9	1	26737-100002	NUT M10	4							
10	1	1W3984-00550	OIL GAUGE	1							
11	1	1W3225-21310	MAIN SHAFT	1							
12	1	24101-060064	BALL BEARING	1							
13	1	24101-062074	BALL BEARING	1							
14	1	22252-000720	CIRCLIP 72	1							
15	1	1W3225-31610	COUNTER SHAFT	1							
16	1	1W3223-61300	SLIDE GEAR B	1							
17	1	24101-062044	BALL BEARING #6204	1							
18	1	1W0401-09054	BEARING, BALL	1							
19	1	22252-000520	CIRCLIP 52	1							
20	1	1W3223-25740	FIXING GEAR A	1							
21	1	22242-000250	CIRCLIP 25S	1							
22	1	1W3207-20220	COUPLING	1							
23	1	1W3992-30880	COLLAR	1							
24	1	24101-062064	BALL BEARING	2							
25	1	1W3985-66480	BEARING	1							
26	1	1W3985-66470	BEARING	1							
27	1	1W3225-31630	COUNTER SHAFT	1							
28	1	24311-000110	O-RING 1A P-11.0	1							
29	1	1W3992-35520	COLLAR	1							
30	1	1W3223-71980	COUNTER GEAR A	1							
31	1	24101-060044	BALL BEARING #6004	2							
32	1	22252-000420	CIRCLIP 42	1							
33	1	26717-140002	NUT M14	1							
34	1	22217-100000	SPRING WASHER 10	4							
35	1	1W3200-80100	CLUTCH ASSY	1							
36	1	1W3992-61840	THRUST WASHER	1							
37	1	1W3992-61500	WASHER	1							
38	1	1W3225-13460	DRIVE SHAFT	1							
39	1	1W3985-11930	BUSH	1							
40	1	24421-203508	SEAL, OIL	1							
41	1	1W3222-13450	COVER	1							
42	1	1W3249-10090	MAGNET	2							
43	1	1W3601-02060	OIL TANK	1							
44	1	1W3406-92490	OIL HOSE	1							
45	1	1W3406-15881	ADAPTOR	1							
46	1	1W0108-00616	BOLT	1							
47	1	1W0213-00006	NUT	1							
48	1	22217-140000	SPRING WASHER 14	1							

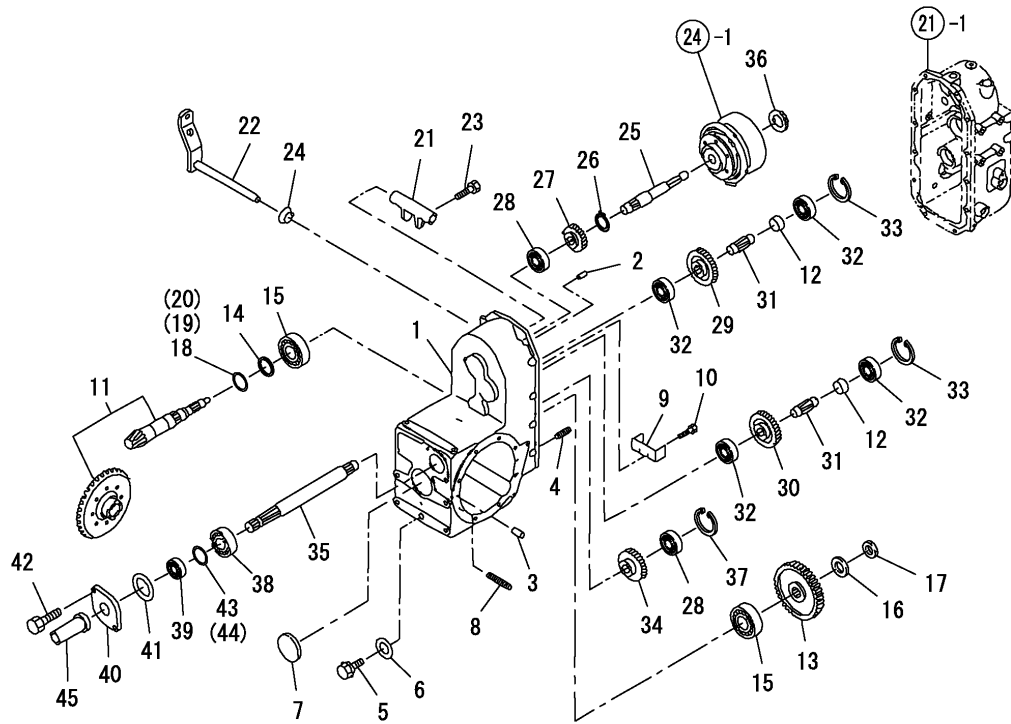
Fig.22. TRANSMISSION

(A)=GE28 (D)=
 (B)= (E)=
 (C)= (F)=



REF.	LEV.	PARTS NO.	DESCRIPTION	QTY						I	R
				(A)	(B)	(C)	(D)	(E)	(F)		
1	1	1W3243-12960	SHIFTER ROD	1							
2	1	1W3244-12390	SHIFTER FORK	1							
3	1	22272-000100	CIRCLIP E-10	2							
4	1	24311-000100	O-RING 1A P-10.0	1							
5	1	1W3982-10280	SPRING	1							
6	1	24190-100001	BALL 5/16, STEEL	1							
7	1	1W3242-02700	SHIFT ARM	1							
8	1	1W3995-64790	PLATE	1							
9	1	26013-080122	BOLT M 8X 12	1							
10	1	1W3244-12290	SHIFTER FORK	1							
11	1	1W3243-70050	BLOCK	2							
12	1	1W0107-00625	BOLT	2							
13	1	1W3202-10370	SHAFT	1							
14	1	24421-152507	SEAL TC15 25 07, OIL	2							
15	1	1W3241-06720	CHANGE LEVER	1							
16	1	22351-060032	SPRING PIN 6X32	1							
17	1	1W3241-06610	CHANGE LEVER;4W	1							
18	1	1W0303-00628	PIN	1							
19	1	1W3241-06620	CHANGE LEVER;4WD	1							
20	1	1W3985-11310	BUSH	2							
21	1	22242-000150	CIRCLIP 15	1							
22	1	1W3982-14450	SPRING	1							
23	1	22351-080050	SPRING PIN 8X50	1							

Fig.23. TRANSMISSION

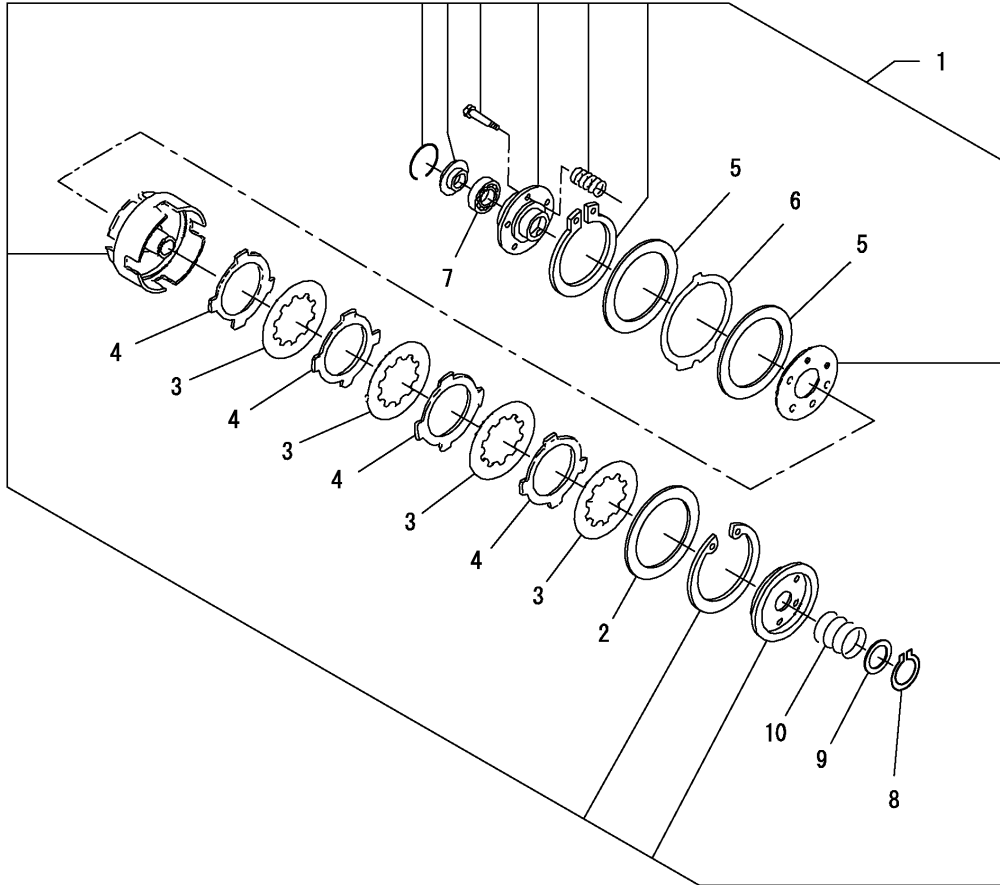


(A)=GE28 (D)=
 (B)= (E)=
 (C)= (F)=

REF.	LEV.	PARTS NO.	DESCRIPTION	QTY						I	R
				(A)	(B)	(C)	(D)	(E)	(F)		
1	1	1W3221-17160	MISSION CASE	1							
2	1	1W0305-00820	PIN,KNOCK	2							
3	1	1W0305-01032	PIN,KNOCK	4							
4	1	1W0121-11025	STUD BOLT	2							
5	1	1W0646-00016	PLUG	1							
6	1	22190-160000	SEAL WASHER 16(BOLT)	1							
7	1	1W3221-40270	SEAL COVER	1							
8	1	1W0121-11040	STUD BOLT	2							
9	1	1W3995-68680	PLATE	1							
10	1	26013-100202	BOLT W/WASHER M10X20	2							
11	1	1W3220-51030	DRIVE PINION ASSY	1							
12	1	1W3992-33780	COLLER	2							
13	1	1W3223-25750	FIXING GEAR A	1							
14	1	1W1992-60040	WASHER, THRUST	1							
15	1	24142-302060	BEARING	2							
16	1	22137-240000	WASHER 24,POLISHED	1							
17	1	1W0201-09079	NUT	1							
18	1	1W1992-81210	SHIM	1							
19	1	1W1992-81220	SHIM	1							
20	1	1W1992-80490	SHIM	1							
21	1	1W3202-60200	CLUTCH FORK	1							
22	1	1W3202-01200	CLUTCH SHAFT	1							
23	1	1W0107-00625	BOLT	2							
24	1	24421-152507	SEAL TC15 25 07, OIL	1							
25	1	1W3225-13640	DRIVE SHAFT	1							
26	1	22242-000250	CIRCLIP 25S	1							
27	1	1W3223-25760	FIXING GEAR A	1							
28	1	24101-063044	BALL BEARING	2							
29	1	1W3223-25770	FIXING GEAR A	1							
30	1	1W3223-25780	FIXING GEAR A	1							
31	1	1W3225-31620	COUNTER SHAFT	2							
32	1	24101-062044	BALL BEARING #6204	4							
33	1	22252-000470	CIRCLIP 47	2							
34	1	1W3223-25790	FIXING GEAR A	1							
35	1	1W3225-90820	P.T.O SHAFT	1							
36	1	1W3985-66470	BEARING	1							
37	1	22252-000520	CIRCLIP 52	1							
38	1	24101-062054	BEARING #6205	1							
39	1	1W0502-01325	OIL SEAL	1							
40	1	1W3221-41990	SEAL COVER	1							
41	1	24321-000600	O-RING 1A G-60.0	1							
42	1	26013-080202	BOLT W/WASHER M8X20	2							
43	1	1W1992-80580	SHIM	1							
44	1	1W1992-80590	SHIM	1							
45	1	1W3981-15500	COVER	1							

Fig.24. CLUTCH

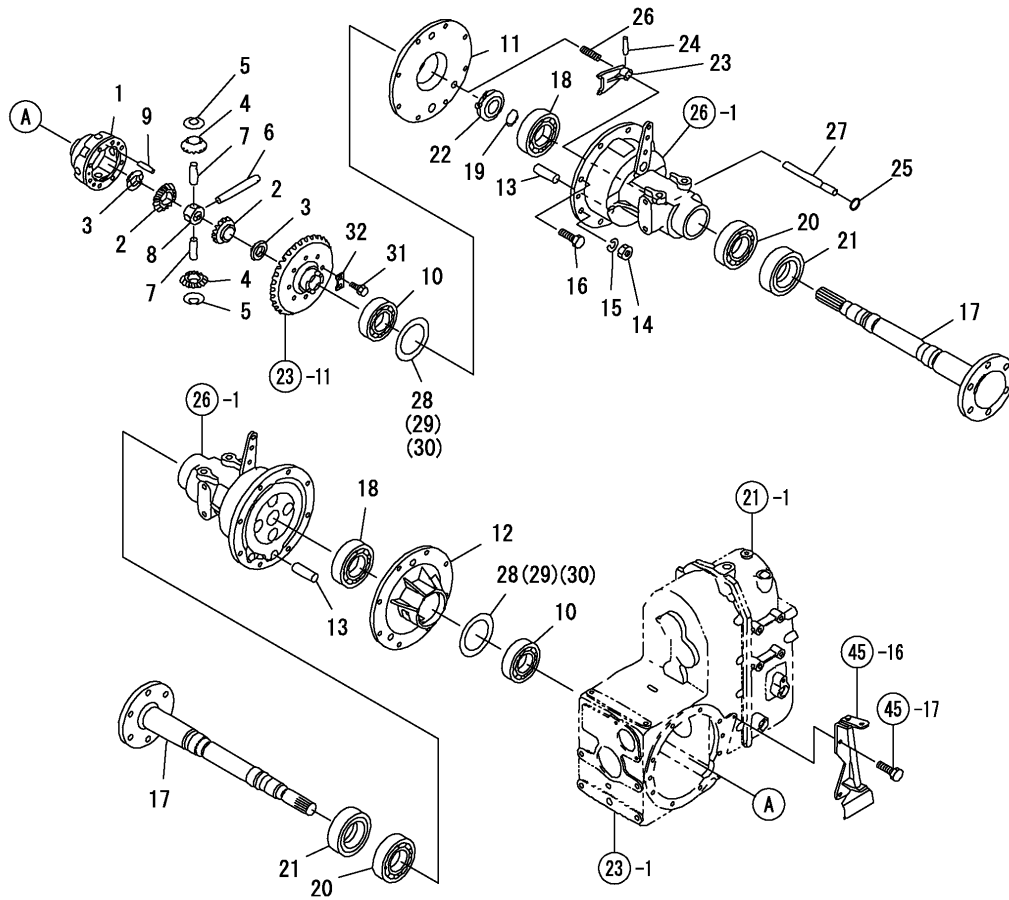
(A)=GE28 (D)=
 (B)= (E)=
 (C)= (F)=



REF.	LEV.	PARTS NO.	DESCRIPTION	QTY						I	R
				(A)	(B)	(C)	(D)	(E)	(F)		
1	1	1W3200-40921	CLUTCH ASSY;PTO	1							
2	2	1W3206-90106	BACK PLATE	1							
3	2	1W3206-90130	DISK PLATE	4							
4	2	1W3206-90108	SEPERATOR PLATE	4							
5	2	1W3206-90109	PRESURE PLATE	2							
6	2	1W3206-90110	BRAKE DISK	1							
7	2	1W3985-60730	THR. BALL BEARING	1							
8	2	22242-000300	CIRCLIP 30	1							
9	2	1W3206-90111	WASHER SPRING	1							
10	2	1W3206-90112	BRAKE SPRING	1							

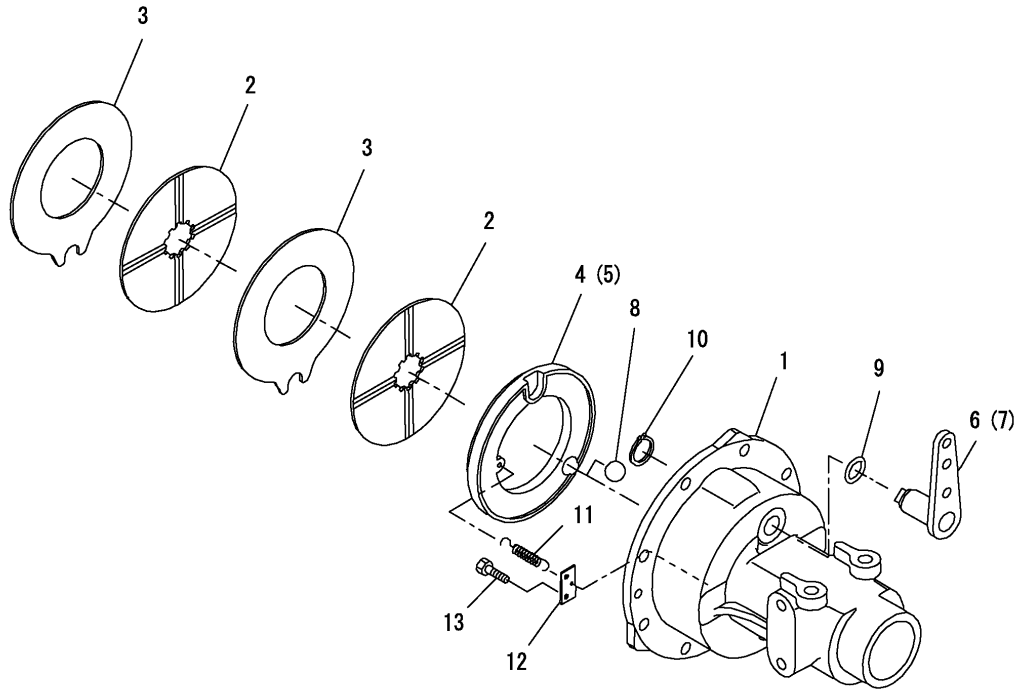
(A)=GE28 (D)=
 (B)= (E)=
 (C)= (F)=

Fig.25. FRONT AXLE



REF.	LEV.	PARTS NO.	DESCRIPTION	QTY						I	R
				(A)	(B)	(C)	(D)	(E)	(F)		
1	1	1W3261-10593	DIFF HOUSING	1							
2	1	1W3261-40030	GEAR,DIFFERENTIAL	2							
3	1	1W3992-61250	WASHER	2							
4	1	1W3261-60030	PINION,DIFFERENTIAL	4							
5	1	1W3992-60130	WASHER, THRUST	4							
6	1	1W3261-30472	SHAFT, PINION	1							
7	1	1W3261-30343	SHAFT, PINION	2							
8	1	1W3261-70060	JOINT	1							
9	1	1W0305-00625	PIN, KNOCK	3							
10	1	24101-060104	BALL BEARING	2							
11	1	1W3262-20420	BEARING CARRIER;L	1							
12	1	1W3262-20430	BEARING CARRIER;R	1							
13	1	1W3282-60170	ANCHOR PIN	2							
14	1	1W0210-10010	NUT	4							
15	1	22217-100000	SPRING WASHER 10	4							
16	1	26013-100402	BOLT M10X 40	12							
17	1	1W3263-01770	WHEEL SHAFT	2							
18	1	24101-062084	BALL BEARING	2							
19	1	22242-000400	CIRCLIP 40	2							
20	1	24101-060084	BALL BEARING	2							
21	1	1W0506-09047	OIL SEAL	2							
22	1	1W3266-10181	DIFFLOCK CLUTCH	1							
23	1	1W3265-70400	DIFFLOCK FORK	1							
24	1	1W0303-00628	PIN	1							
25	1	24311-000110	O-RING 1A P-11.0	1							
26	1	1W4982-11470	SPRING	1							
27	1	1W3265-30330	DIFFLOCK SHAFT	1							
28	1	1W1992-80770	SHIM	1							
29	1	1W1992-80760	SHIM	1							
30	1	1W1992-80750	SHIM	1							
31	1	1W0101-11030	BOLT	8							
32	1	1W3993-10330	LOCK WASHER	4							

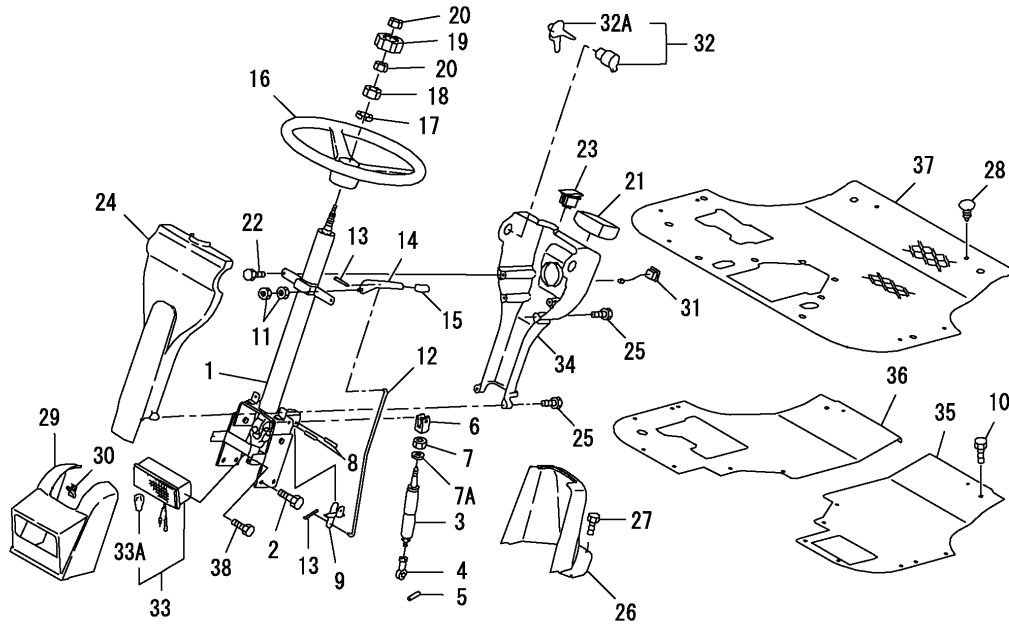
Fig.26. BRAKE



(A)=GE28 (D)=
 (B)= (E)=
 (C)= (F)=

REF.	LEV.	PARTS NO.	DESCRIPTION	QTY						I	R	
				(A)	(B)	(C)	(D)	(E)	(F)			
1	1	1W3263-44970	WHEEL SHAFT CASE		2							
2	1	1W3281-10220	BRAKE LINING		4							
3	1	1W3285-60190	DISK		4							
4	1	1W3285-60400	PRESSURE PLATE;L		1							
5	1	1W3285-60410	PRESSURE PLATE;R		1							
6	1	1W3283-00570	BRAKE CAM;L		1							
7	1	1W3283-00580	BRAKE CAM;R		1							
8	1	1W0481-09004	STEEL BALL		8							
9	1	24311-000210	O-RING 1A P-21.0		2							
10	1	22242-000250	CIRCLIP 25S		4							
11	1	1W3982-13340	SPRING		4							
12	1	1W3284-90045	PLATE		4							
13	1	1W0111-40612	BOLT		8							

Fig.27. STEERING

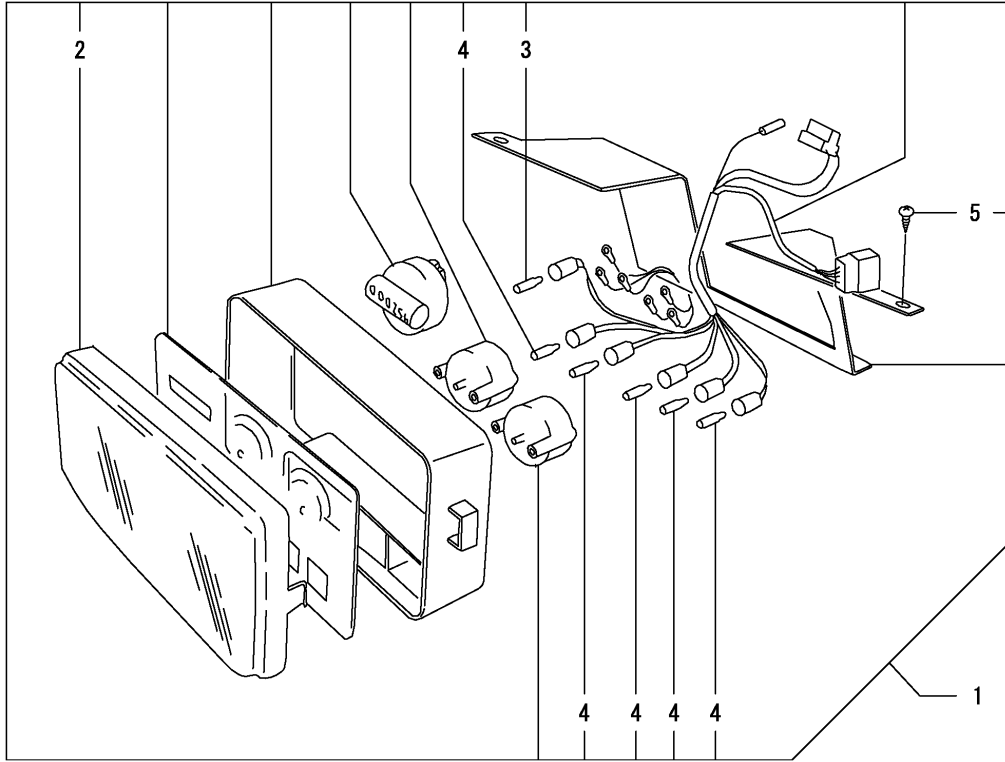


(A)=GE28 (D)=
 (B)= (E)=
 (C)= (F)=

REF.	LEV.	PARTS NO.	DESCRIPTION	QTY						I	R
				(A)	(B)	(C)	(D)	(E)	(F)		
1	1	1W3340-40401	PIPE HANDLE ASSY	1							
2	1	26013-100202	BOLT W/WASHER M10X20	4							
3	1	1W3789-10250	STAY DUMPER	1							
4	1	1W3348-01330	TIE ROD END	1							
5	1	1W0305-01032	PIN,KNOCK	1							
6	1	1W3241-20990	BOSS	1							
7	1	26717-100002	NUT M10	1							
7A	1	1W0261-09023	WASHER	1							
8	1	22351-080040	SPRING PIN 8X40	2							
9	1	1W3995-81330	LEVER	1							
10	1	1W0108-00816	BOLT	6							
11	1	1W0201-00006	NUT	2							
12	1	1W3585-11240	ROD	1							
13	1	22417-200200	COTTER PIN 2.0X20	2							
14	1	1W3995-81320	LEVER	1							
15	1	1W3981-81300	GLIP	1							
16	1	1W3343-10210	STEERING WHEEL	1							
17	1	22217-140000	SPRING WASHER 14	1							
18	1	26777-140002	LOCK NUT M14	1							
19	1	1W3343-20171	HANDLE CAP	1							
20	1	1W0201-09125	NUT	2							
21	1	1W3850-40990	METER ASSY	1							
22	1	1W0108-00616	BOLT	2							
23	1	1W3852-02100	SWITCH ASSY	1							
24	1	1W3507-11740	DASH BOARD;FRONT	1							
25	1	1W0111-09012	BOLT	4							
26	1	1W3503-20390	LOWER COVER;REAR	1							
27	1	1W0108-00616	BOLT	4							
28	1	1W3983-40240	CLIP	10							
29	1	1W3503-20400	LIGHT MASK	1							
30	1	1W3983-40460	CLIP	2							
31	1	198121-52110	SWITCH	1							
32	1	1W3852-02110	SWITCH ASSY	1							
32A	1	1W3852-10280	KEY	1							
33	1	1W3851-01910	LAMP ASSY	1							
33A	1	1W3851-20700	BULB 23W	1							
34	1	1W3507-11750	DASH BOARD;REAR	1							
35	1	1W3556-05070	STEP;L	1							
36	1	1W3556-05150	STEP;R	1							
37	1	1W3981-20960	RUBBER	1							
38	1	1W0108-00616	BOLT	2							

Fig.28. METOR

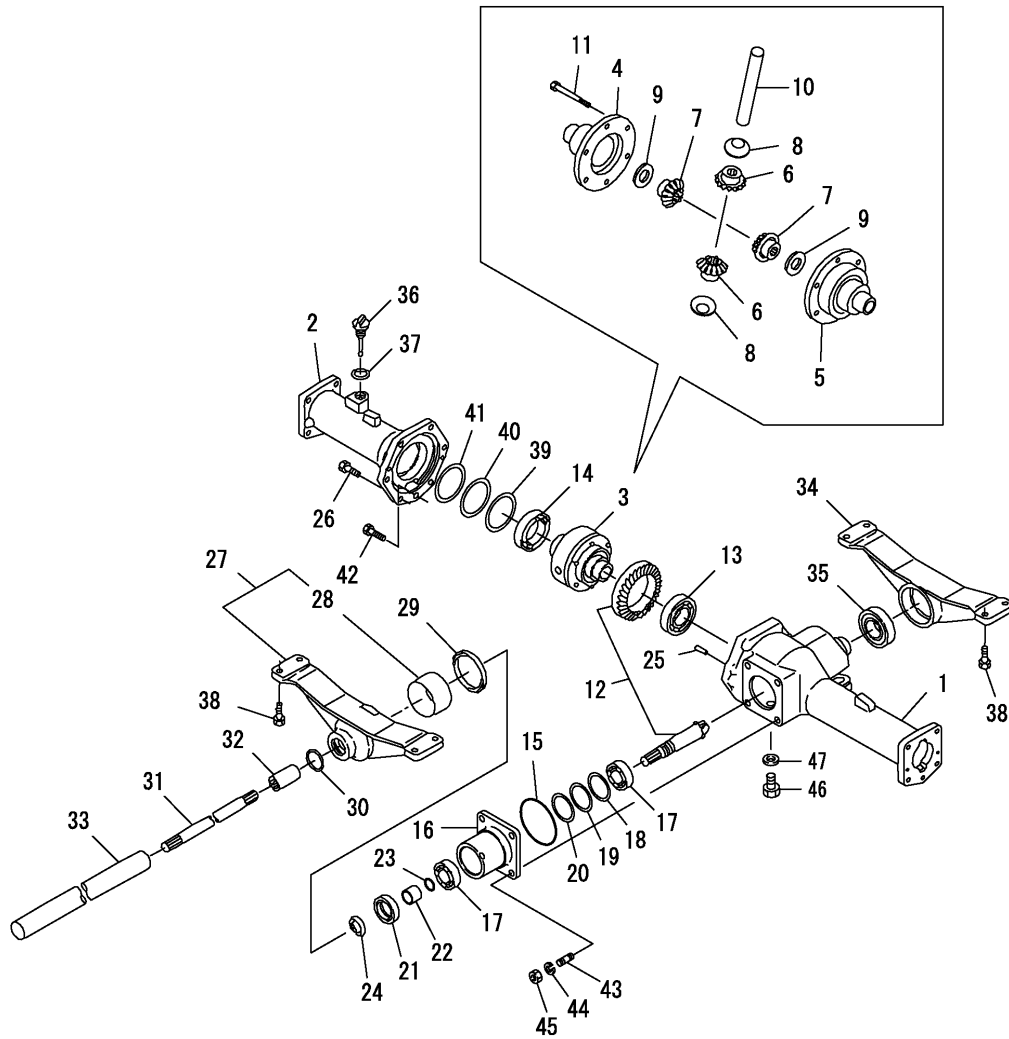
(A)=GE28 (D)=
 (B)= (E)=
 (C)= (F)=



REF.	LEV.	PARTS NO.	DESCRIPTION	QTY						I	R	
				(A)	(B)	(C)	(D)	(E)	(F)			
1	1	1W3850-40990	METER ASSY									
2	2	1W3854-70300	COVER									
3	2	1W3854-70302	BULB;12V 2W									
4	2	1W3854-70301	VALVE									
5	2	22857-400121	BOLT									

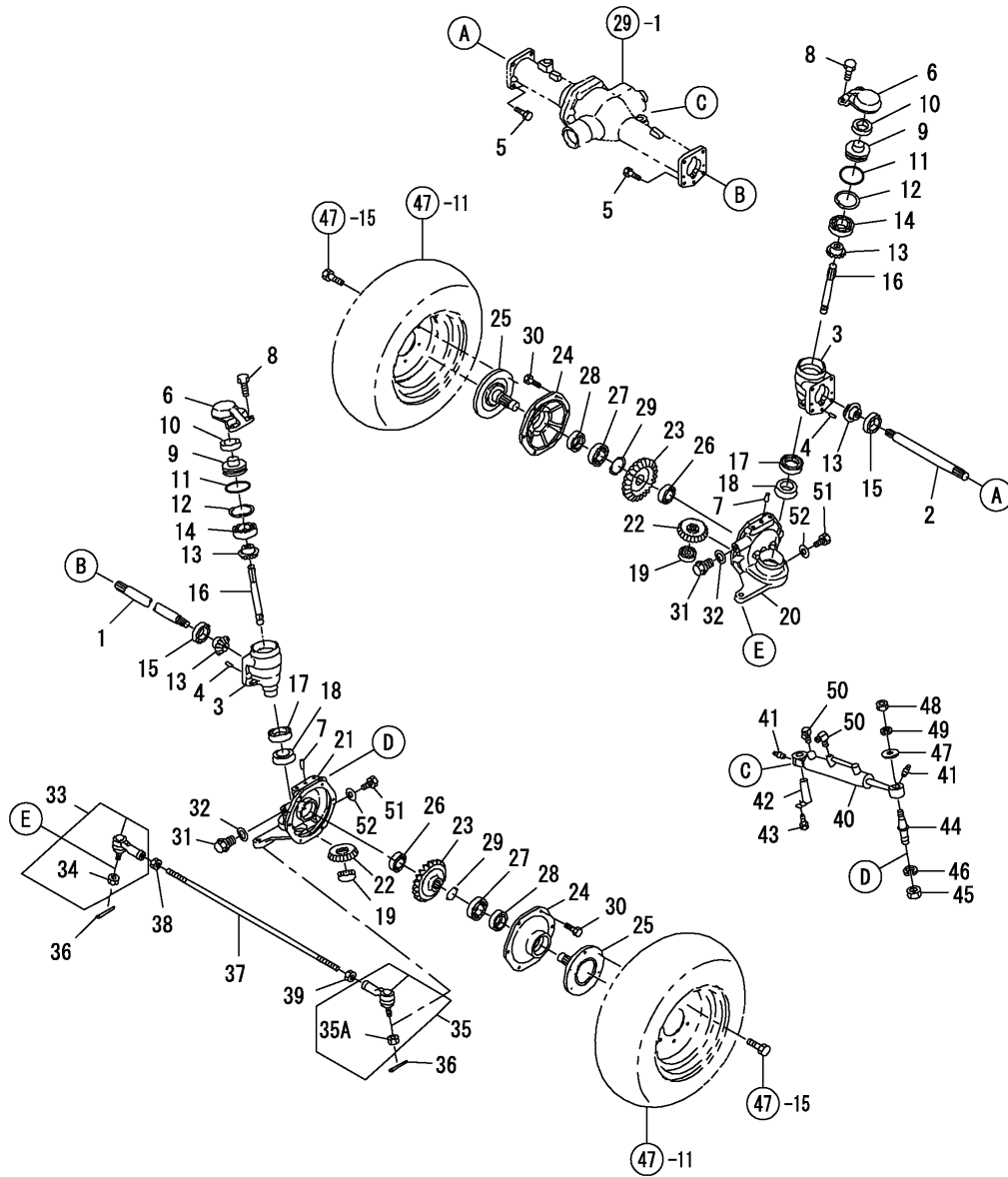
Fig.29. REAR AXLE

(A)=GE28 (D)=
 (B)= (E)=
 (C)= (F)=



REF.	LEV.	PARTS NO.	DESCRIPTION	QTY						I	R
				(A)	(B)	(C)	(D)	(E)	(F)		
1	1	1W3263-45230	WHEEL SHAFT CASE;LH	1							
2	1	1W3263-45250	WHEEL SHAFT CASE;RH	1							
3	1	1W3260-10410	DIFF ASSY;REAR	1							
4	2	1W3261-10880	DIFF HOUSING	1							
5	2	1W3261-11090	DIFF HOUSING	1							
6	2	1W3261-60060	PINION,DIFFERENTIAL	2							
7	2	1W3261-40211	GEAR,DIFFERENTIAL	2							
8	2	1W3992-61070	WASHER, THRUST	2							
9	2	1W3992-61080	WASHER,THRUST	2							
10	2	1W3261-30530	PINIONSHAFT	1							
11	2	1W0107-00855	BOLT	6							
12	1	1W3220-51270	DRIVE PINION ASSY	1							
13	1	1W0403-06207	BEARING, BALL	1							
14	1	1W0403-06009	BALL BEARING	1							
15	1	24321-000600	O-RING 1A G-60.0	1							
16	1	1W3222-63130	BEARING HOLDER	1							
17	1	24142-302050	TAPER-ROLLER BEARING	2							
18	1	1W1992-80560	SHIM	1							
19	1	1W1992-80580	SHIM	1							
20	1	1W1992-80590	SHIM	1							
21	1	1W0502-02332	SEAL, OIL	1							
22	1	1W3992-32470	COLLAR	1							
23	1	24311-000210	O-RING 1A P-21.0	1							
24	1	1W3993-70740	NUT	1							
25	1	1W0305-00820	PIN,KNOCK	2							
26	1	26013-100302	BOLT M10X 30	6							
27	1	1W3220-17760	CASING ASSY	1							
28	2	1W3985-10350	BUSH	1							
29	1	1W0503-01165	SEAL, OIL	1							
30	1	24321-000350	O-RING 1A G-35.0	1							
31	1	1W3225-13660	DRIVE SHAFT	1							
32	1	1W3226-10140	JOINT	2							
33	1	1W3201-71630	PIPE	1							
34	1	1W3222-62850	BEARING HOLDER	1							
35	1	24105-062074	BALL BEARING	1							
36	1	1W3984-00430	GAUGE COMPL	1							
37	1	22190-200000	SEAL WASHER 20(BOLT)	1							
38	1	26013-100302	BOLT M10X 30	8							
39	1	1W1992-80740	SHIM	1							
40	1	1W1992-80730	SHIM	1							
41	1	1W1992-80720	SHIM	1							
42	1	26013-100502	BOLT M10X 50	1							
43	1	1W0121-11020	STUD BOLT	4							
44	1	22217-100000	SPRING WASHER 10	4							
45	1	1W0210-10010	NUT	4							
46	1	1W0104-01212	BOLT	1							
47	1	22190-120000	SEAL WASHER 12(BOLT)	1							

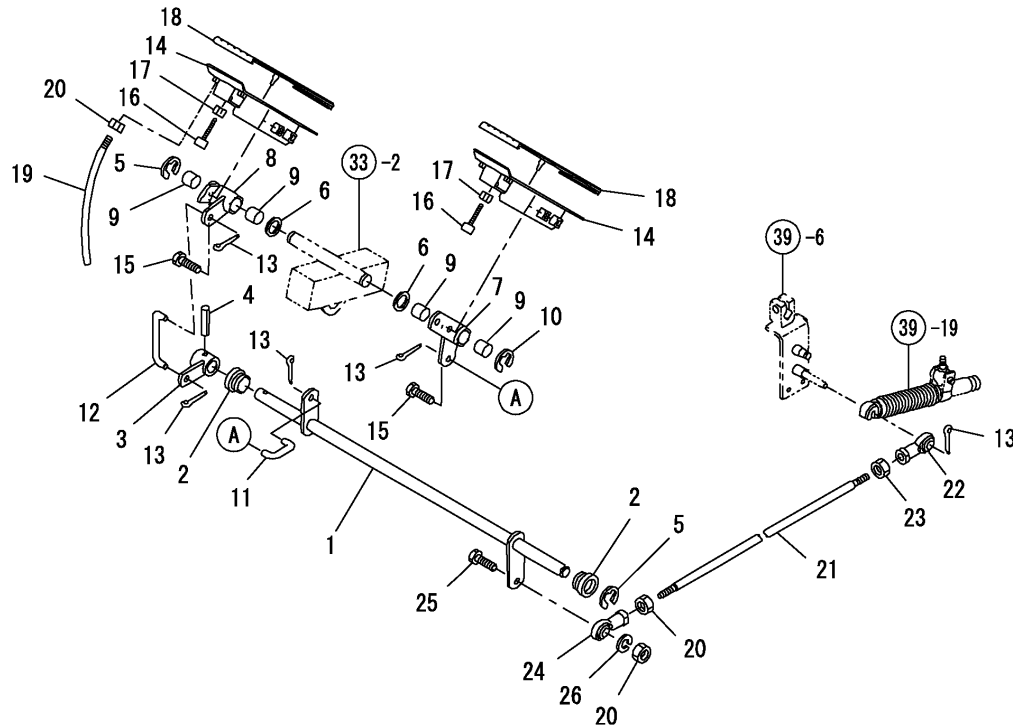
Fig.30. REAR AXLE



(A)=GE28 (D)=
 (B)= (E)=
 (C)= (F)=

REF.	LEV.	PARTS NO.	DESCRIPTION	QTY						I	R
				(A)	(B)	(C)	(D)	(E)	(F)		
1	1	1W3262-11660	DIFF SHAFT;L REAR	1							
2	1	1W3262-11670	DIFF SHAFT;R REAR	1							
3	1	1W3221-17431	MISSION CASE	2							
4	1	1W0305-00820	PIN,KNOCK	4							
5	1	26013-100302	BOLT M10X 30	10							
6	1	1W3345-25090	ARM	2							
7	1	1W0305-01025	PIN,KNOCK	2							
8	1	26013-100252	BOLT W/WASHER M10X25	4							
9	1	1W3303-11370	KING PIN	2							
10	1	24104-060064	BALL BEARING	2							
11	1	24321-000650	O-RING 1A G-65.0	2							
12	1	22252-000650	CIRCLIP 65H	2							
13	1	1W3262-40600	BEVEL GEAR	4							
14	1	1W0401-09034	BEARING	2							
15	1	1W0401-09065	BALL BEARING	2							
16	1	1W3225-13491	DRIVE SHAFT	2							
17	1	1W0506-09045	OIL SEAL	2							
18	1	1W0425-32007	TAPER ROLLER BEARIN	2							
19	1	24101-063034	BALL BEARING	2							
20	1	1W3221-17451	MISSION CASE L	1							
21	1	1W3221-17471	MISSION CASE R	1							
22	1	1W3262-40690	FINAL PINION	2							
23	1	1W3263-70840	FINAL GEAR	2							
24	1	1W3222-13490	COVER;FINAL	2							
25	1	1W3263-12380	WHEEL SHAFT	2							
26	1	24101-062054	BEARING #6205	2							
27	1	24101-062064	BALL BEARING	2							
28	1	1W0506-09043	OIL SEAL	2							
29	1	22242-000300	CIRCLIP 30	2							
30	1	26013-080202	BOLT W/WASHER M8X20	12							
31	1	1W0646-00016	PLUG	2							
32	1	22190-160000	SEAL WASHER 16(BOLT)	2							
33	1	1W3348-01360	TIE ROD END;R	1							
34	2	1W3348-10209	NUT	1							
35	1	1W3348-01390	TIE ROD END;L	1							
35A	2	1W3348-10209	NUT	1							
36	1	1W0301-03225	SPLIT PIN	2							
37	1	1W3347-12030	ROD	1							
38	1	26777-140002	LOCK NUT M14	1							
39	1	1W0201-09029	NUT	1							
40	1	1W3449-52381	CYLINDER ASSY	1							
41	1	24761-020000	NIPPLE PT1/8,GREASE	2							
42	1	1W3996-00110	PIN	1							
43	1	26013-080122	BOLT M 8X 12	1							
44	1	1W3996-12070	PIN	1							
45	1	26747-200002	BOLT	1							
46	1	22217-200000	SPRING WASHER 20	1							
47	1	1W3992-10710	SPACER	1							
48	1	26747-160002	NUT M16	1							
49	1	22217-160000	SPRING WASHER 16	1							
50	1	1W3406-70280	ADAPTER, ETHER START	2							
51	1	1W0104-01212	BOLT	2							
52	1	22190-120000	SEAL WASHER 12(BOLT)	2							

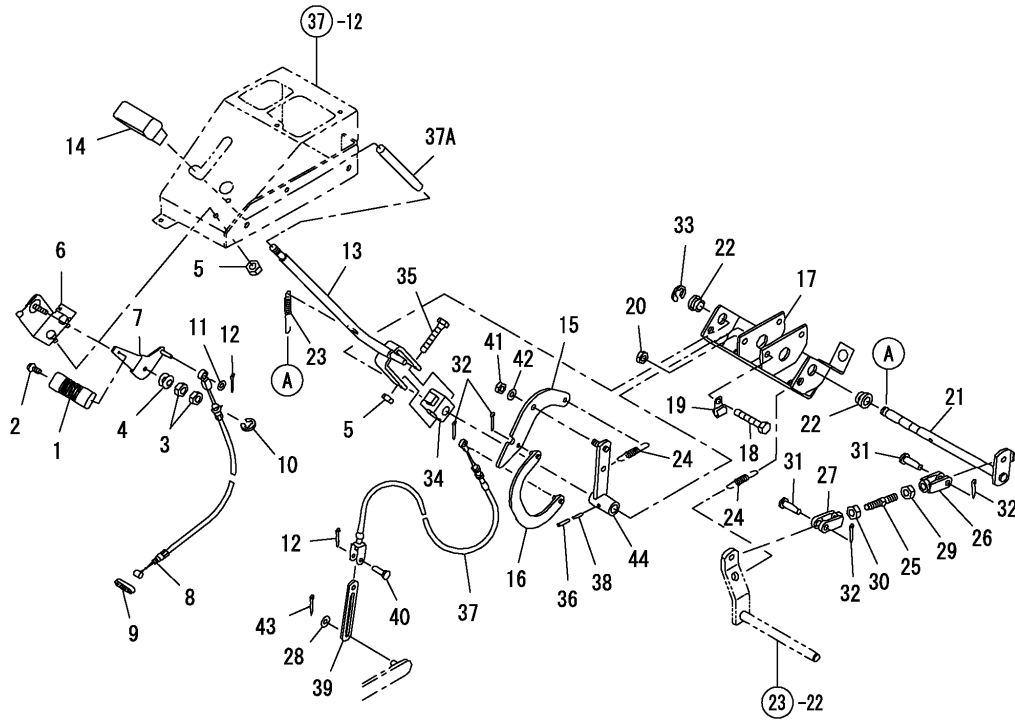
Fig.31. H.S.T.CONTROL



(A)=GE28 (D)=
 (B)= (E)=
 (C)= (F)=

REF.	LEV.	PARTS NO.	DESCRIPTION	QTY						I	R
				(A)	(B)	(C)	(D)	(E)	(F)		
1	1	1W3582-00930	PEDAL SHAFT	1							
2	1	1W3985-11320	BUSH	2							
3	1	1W3241-06790	CHANGE LEVER	1							
4	1	22351-060025	SPRING PIN 6X25	1							
5	1	22272-000120	CIRCLIP E-12	2							
6	1	22137-140000	WASHER 14,POLISHED	1							
7	1	1W3241-06770	LEVER	1							
8	1	1W3241-06780	LEVER	1							
9	1	1W3985-11310	BUSH	4							
10	1	22272-000120	CIRCLIP E-12	1							
11	1	1W3585-11250	ROD;HST F	1							
12	1	1W3585-11230	ROD	1							
13	1	22417-200200	COTTER PIN 2.0X20	5							
14	1	1W3581-04780	PEDAL	2							
15	1	1W0108-00816	BOLT	4							
16	1	1W3981-11640	RUBBER	2							
17	1	26717-080002	NUT 8	2							
18	1	1W3981-17180	RUBBER	2							
19	1	1W3585-11260	ROD;R	1							
20	1	26717-080002	NUT 8	3							
21	1	1W3585-11220	ROD	1							
22	1	1W3348-00420	TIE ROD END	1							
23	1	1W0201-09125	NUT	1							
24	1	1W3348-00360	TIE ROD END	1							
25	1	26116-080302	BOLT 8X30	1							
26	1	22217-080000	SPRING WASHER 8	1							

Fig.32. ACCELERATOR & CHANGE LEVER

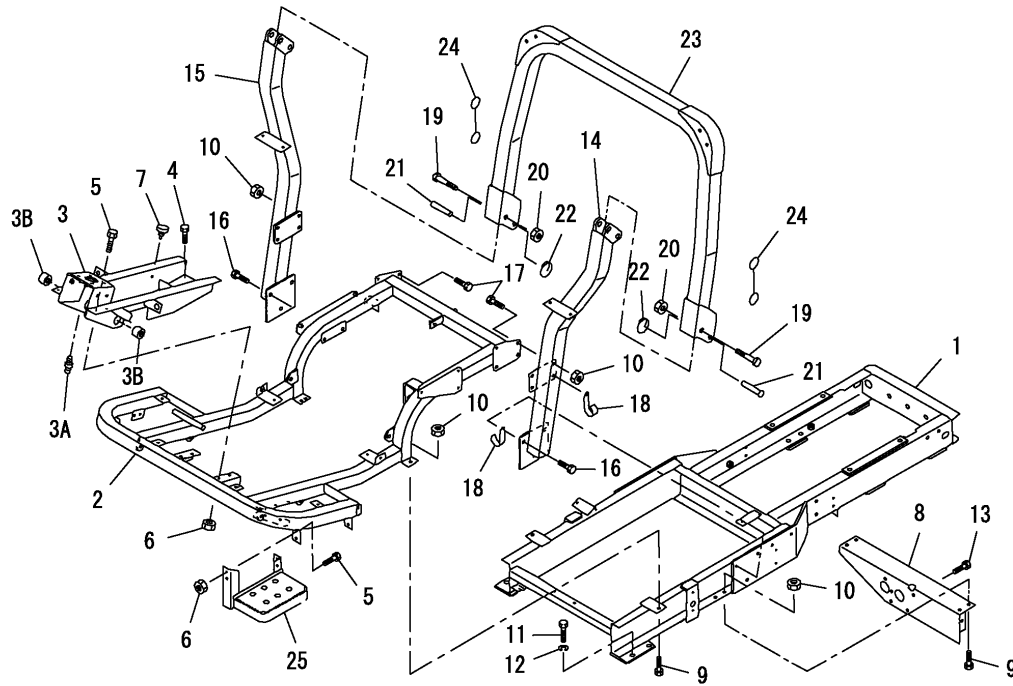


(A)=GE28 (D)=
 (B)= (E)=
 (C)= (F)=

REF.	LEV.	PARTS NO.	DESCRIPTION	QTY						I	R
				(A)	(B)	(C)	(D)	(E)	(F)		
1	1	1W3981-80921	GRIP	1							
2	1	26022-050122	SCREW M 5X 12	1							
3	1	1W0201-00008	NUT	2							
4	1	1W3982-12210	SPRING	1							
5	1	1W0215-00008	NUT	3							
6	1	1W3125-00501	BRACKET	1							
7	1	1W3121-00931	ACCEL LEVER	1							
8	1	1W3120-70720	WIRE ASSY	1							
9	1	1W3981-14451	RUBBER	1							
10	1	22272-000040	CIRCLIP E- 4	1							
11	1	22137-060000	WASHER 6, POLISHED	1							
12	1	22417-200250	COTTER PIN 2.0X25	2							
13	1	1W3241-06650	CHANGE LEVER	1							
14	1	1W3981-81760	GRIP	1							
15	1	1W3245-41300	SHIFT PLATE	1							
16	1	1W3245-01270	SHIFT GUIDE	1							
17	1	1W3245-01280	SHIFT GUIDE	1							
18	1	26116-100752	BOLT M10X 75 PLATED	2							
19	1	1W3991-10340	CLAMP	1							
20	1	1W0203-10010	NUT	1							
21	1	1W3202-01131	CLUTCH SHAFT;PTO	1							
22	1	1W3985-11320	BUSH	2							
23	1	1W3982-14590	SPRING	1							
24	1	1W4982-21100	SPRING	2							
25	1	1W3994-10140	STUD BOLT	1							
26	1	1W3585-60180	FORK JOINT;L	1							
27	1	1W3585-60190	FORK JOINT;R	1							
28	1	22137-080000	WASHER 8, POLISHED	1							
29	1	1W0206-09805	NUT	1							
30	1	26737-120002	NUT M12	2							
31	1	1W0313-11030	PIN	4							
32	1	1W0301-03225	SPLIT PIN	1							
33	1	22272-000120	CIRCLIP E-12	1							
34	1	1W3241-21000	BOSS	1							
35	1	1W3994-31070	BOLT	1							
36	1	22351-060032	SPRING PIN 6X32	1							
37	1	1W3127-00650	WIRE	1							
37A	1	1W0681-09052	VINYL TUBE	1							
38	1	22351-035032	SPRING PIN 3.5X32	1							
39	1	1W3995-68730	PLATE	1							
40	1	1W0313-10820	PIN	1							
41	1	1W0223-00010	NUT	1							
42	1	22137-100000	WASHER 10,POLISHED	1							
43	1	22417-200250	COTTER PIN 2.0X25	1							
44	1	1W3241-06800	CHANGE LEVER	1							

(A)=GE28 (D)=
 (B)= (E)=
 (C)= (F)=

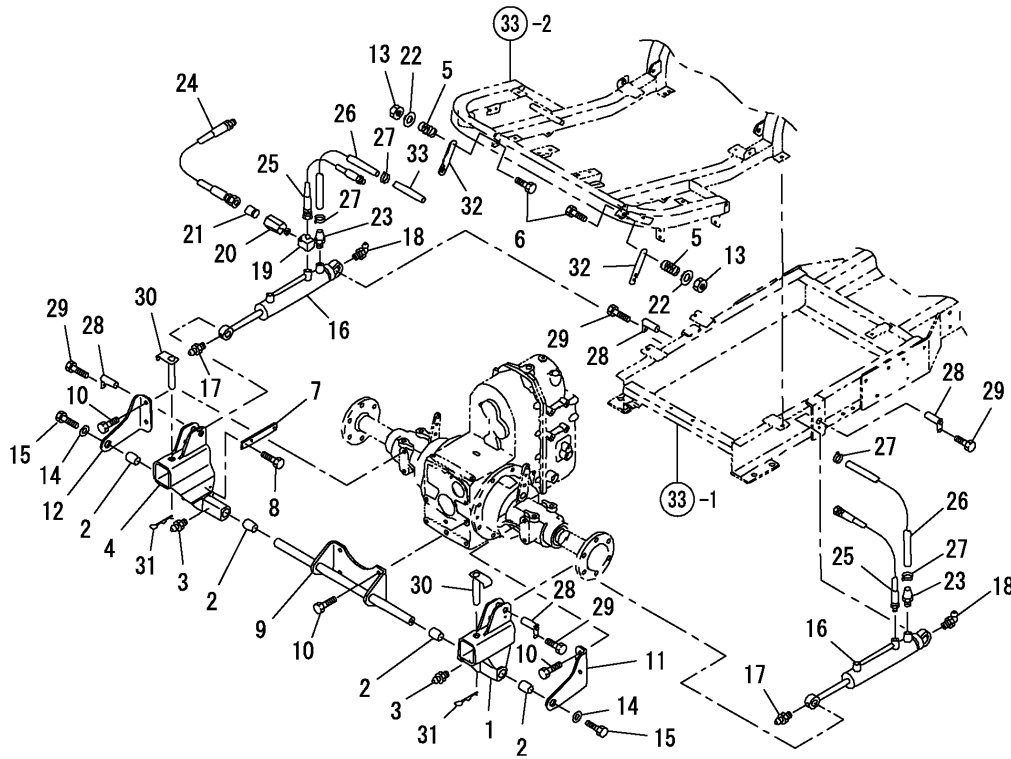
Fig.33. FRAME & ARM



REF.	LEV.	PARTS NO.	DESCRIPTION	QTY						I	R
				(A)	(B)	(C)	(D)	(E)	(F)		
1	1	1W3205-52010	FRAME	1							
2	1	1W3205-51671	FRAME;UPPER	1							
3	1	1W3205-51690	FRAME	1							
3A	1	24761-010000	NIPPLE M6F, GREASE	1							
3B	1	1W3985-10070	BUSH	2							
4	1	26013-080202	BOLT W/WASHER M8X20	2							
5	1	26116-080202	BOLT M 8X 20 PLATED	8							
6	1	1W0215-00008	NUT	8							
7	1	1W3981-10110	RUBBER	4							
8	1	1W3205-60771	FRAME;MISSION	1							
9	1	26116-100202	BOLT M10X 20 PLATED	6							
10	1	1W0215-00010	NUT	12							
11	1	26156-140252	BOLT M14X 25 PLATED	4							
12	1	22217-140000	SPRING WASHER 14	4							
13	1	26013-100202	BOLT W/WASHER M10X20	4							
14	1	1W3783-06890	FRAME	1							
15	1	1W3783-06910	FRAME	1							
16	1	1W0113-11225	BOLT	6							
17	1	26116-100202	BOLT M10X 20 PLATED	6							
18	1	1W3991-11970	CLAMP	2							
19	1	1W0101-09502	BOLT	2							
20	1	1W0224-09003	NUT;M16X1.5	2							
21	1	1W3996-11460	PIN	2							
22	1	1W3982-13410	SPRING	2							
23	1	1W3783-08100	PL,ASSY,FRAME	1							
24	1	1W3982-30070	WIRE;ROPS	2							
25	1	1W3556-05290	STEP	1							

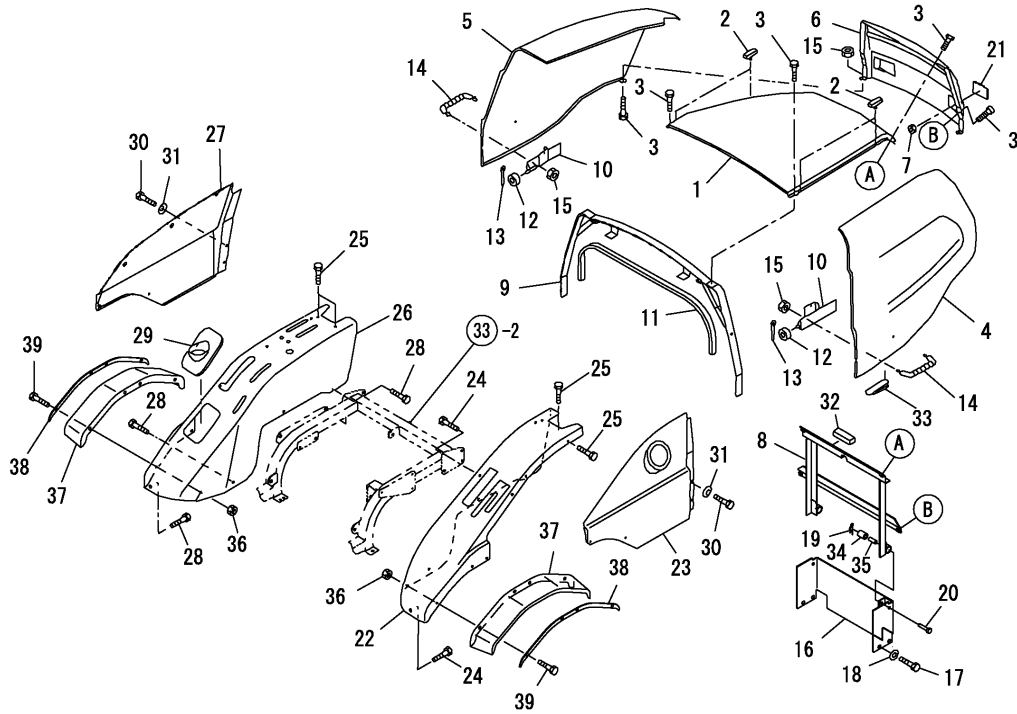
Fig.34. LIFT ARM

(A)=GE28 (D)=
 (B)= (E)=
 (C)= (F)=



REF.	LEV.	PARTS NO.	DESCRIPTION	QTY						I	R
				(A)	(B)	(C)	(D)	(E)	(F)		
1	1	1W3441-11190	LIFT ARM	1							
2	1	1W3985-10300	BUSH	4							
3	1	24761-010000	NIPPLE M6F, GREASE	2							
4	1	1W3441-11210	LIFT ARM	1							
5	1	1W3982-12310	SPRING	2							
6	1	26116-100402	BOLT 10X 40	2							
7	1	1W3995-68720	PLATE	1							
8	1	1W0108-00816	BOLT	2							
9	1	1W3449-02310	BRACKET	1							
10	1	26013-120302	BOLT W/WASHER M12X30	8							
11	1	1W3703-10590	BRACKET;L	1							
12	1	1W3703-10610	BRACKET;R	1							
13	1	1W0223-00010	NUT	2							
14	1	1W0261-09013	WASHER	2							
15	1	26013-100202	BOLT W/WASHER M10X20	2							
16	1	1W3449-52790	CYLINDER ASSY	2							
17	1	24761-020000	NIPPLE PT1/8,GREASE	2							
18	1	24761-050000	NIPPLE C,GREASE	2							
19	1	1W3406-73590	ADAPTOR	1							
20	1	1W3406-72830	ADAPTOR	1							
21	1	1W3401-70880	VALVE	1							
22	1	22137-100000	WASHER 10,POLISHED	2							
23	1	1W3406-73820	ADAPTOR	2							
24	1	1W3406-08590	OIL PIPE	1							
25	1	1W3406-90450	OIL HOSE	2							
26	1	1W3406-90240	OIL HOSE	2							
27	1	1W0672-00150	CLAMP,HOSE	4							
28	1	1W3996-00110	PIN	4							
29	1	26013-080122	BOLT M 8X 12	4							
30	1	1W3709-00760	PIN COMPL	2							
31	1	1W5997-30030	SET PIN	2							
32	1	1W3707-70130	PLATE	2							
33	1	1W3859-60550	COVER	1							

Fig.35. HOOD & CONTROL COVERS



(A)=GE28

(B)=

(C)=

(D)=

(E)=

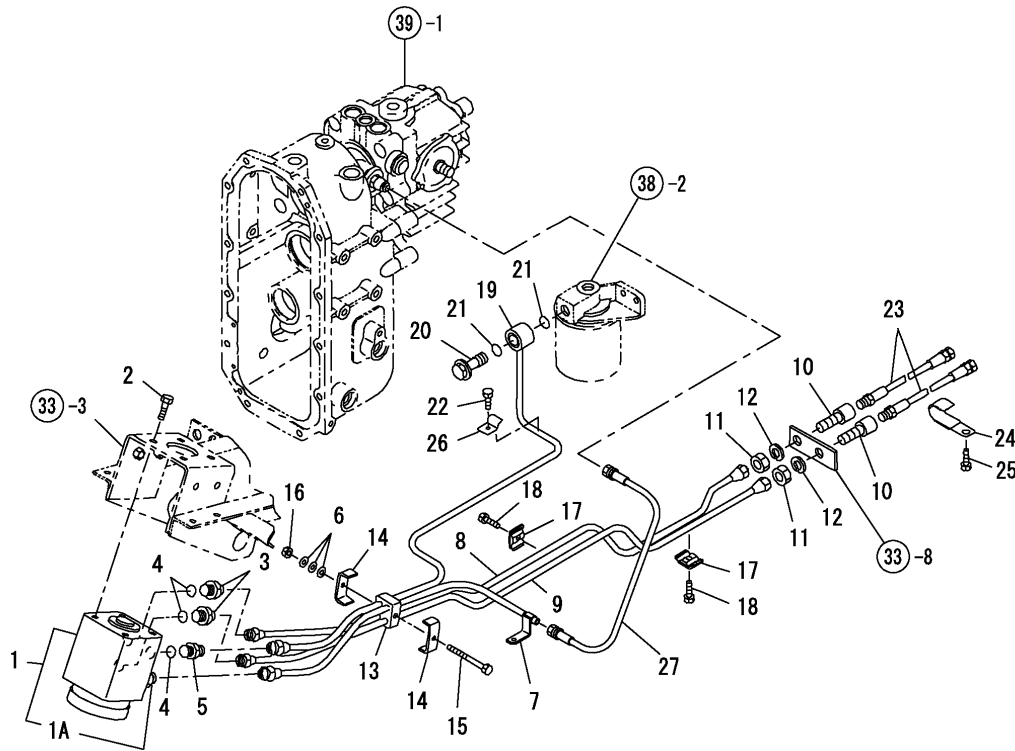
(F)=

REF.	LEV.	PARTS NO.	DESCRIPTION	QTY						I	R
				(A)	(B)	(C)	(D)	(E)	(F)		
1	1	1W3501-11330	BONNET	1							
2	1	1W3981-21150	RUBBER	4							
3	1	1W0108-00820	BOLT	8							
4	1	1W3781-07220	SIDE GUARD;L	1							
5	1	1W3781-07230	SIDE GUARD;R	1							
6	1	1W3501-03960	BONNET GRILLE	1							
7	1	26367-060002	NUT M 6	2							
8	1	1W3505-02753	BONNET SUPPORT	1							
9	1	1W3505-02770	BONNET SUPPORT	1							
10	1	1W3505-02781	BONNET SUPPORT	2							
11	1	1W3981-31310	SPONGE	1							
12	1	1W3985-11710	BUSHING	2							
13	1	1W0301-02516	SPLIT PIN	2							
14	1	1W3981-80671	GRIP	2							
15	1	26367-080002	U-NUT M 8	6							
16	1	1W3507-56070	COVER	1							
17	1	26013-100202	BOLT W/WASHER M10X20	4							
18	1	22137-100000	WASHER 10,POLISHED	4							
19	1	1W0311-00010	SNAP PIN	2							
20	1	1W0313-11045	PIN	2							
21	1	1W3851-50200	REFLECTOR	2							
22	1	1W3551-05730	PL,ASSY,FENDER:L	1							
23	1	1W3781-07420	PL,ASSY,SIDE GUARD;L	1							
24	1	1W0108-00820	BOLT	3							
25	1	1W0108-09007	BOLT M8X14,FLANGE HD	10							
26	1	1W3551-05680	FENDER;R	1							
27	1	1W3781-07250	SIDE GUARD;R	1							
28	1	1W0108-00820	BOLT	3							
29	1	1W3981-20410	RUBBER	1							
30	1	1W0101-09355	BOLT	4							
31	1	1W3982-11210	SPRING	4							
32	1	1W3981-31210	SPONGE	1							
33	1	1W3981-15430	RUBBER	1							
34	1	1W3981-21440	RUBBER	2							
35	1	1W3992-35760	COLLAR	2							
36	1	26367-080002	U-NUT M 8	4							1
37	1	1W3551-11970	FENDER	2							1
38	1	1W3551-71760	SET PLATE	2							1
39	1	1W0108-00820	BOLT	6							1

Remarks
(1) FOR TYPE LARGE TIRE

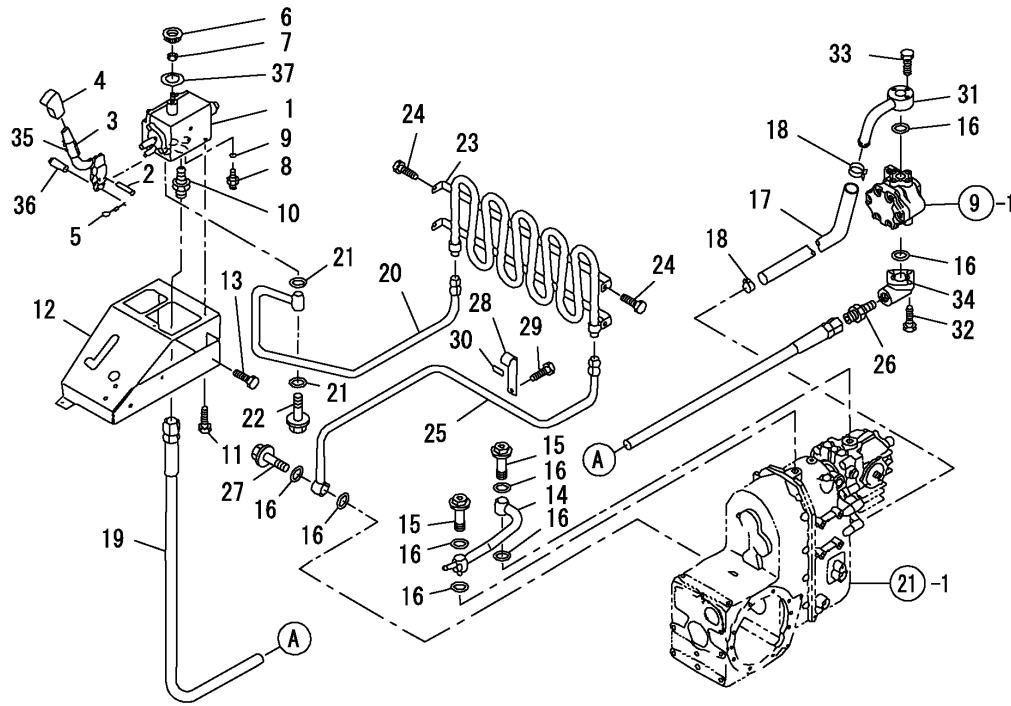
Fig.36. STEERING CASE & PIPING

(A)=GE28 (D)=
 (B)= (E)=
 (C)= (F)=



REF.	LEV.	PARTS NO.	DESCRIPTION	QTY						I	R
				(A)	(B)	(C)	(D)	(E)	(F)		
1	1	1W3340-11200	STEERING CASE ASSY	1							
1A	2	1W3342-93135	CHECK VALVE	1							
2	1	26043-100202	BOLT	4							
3	1	1W3406-71220	ADAPTOR	2							
4	1	24311-000140	O-RING 1A P-14.0	3							
5	1	1W3406-71710	ADAPTOR	1							
6	1	22137-060000	WASHER 6, POLISHED	3							
7	1	1W3407-07991	OIL PIPE;P	1							
8	1	1W3407-08000	OIL PIPE;L	1							
9	1	1W3407-08010	OIL PIPE;R	1							
10	1	1W3406-71381	ADAPTOR	2							
11	1	26777-140002	LOCK NUT M14	2							
12	1	22217-140000	SPRING WASHER 14	2							
13	1	1W3981-15630	RUBBER	1							
14	1	1W3991-12130	CLAMP	2							
15	1	26116-060602	BOLT M 6X 60 PLATED	1							
16	1	26347-060002	U-NUT M 6	1							
17	1	1W1991-06020	CLAMP	2							
18	1	1W0108-00620	BOLT	1							
19	1	1W3407-08020	OIL PIPE	1							
20	1	1W3984-80240	NIPPLE	1							
21	1	24311-000200	O-RING 1A P-20.0	2							
22	1	1W0113-10620	BOLT	1							
23	1	1W3406-92021	OIL HOSE	2							
24	1	1W3991-10340	CLAMP	1							
25	1	26013-100202	BOLT W/WASHER M10X20	1							
26	1	1W3991-00630	CLAMP	1							
27	1	1W3406-92650	OIL HOSE;G3/8-G3-8	1							

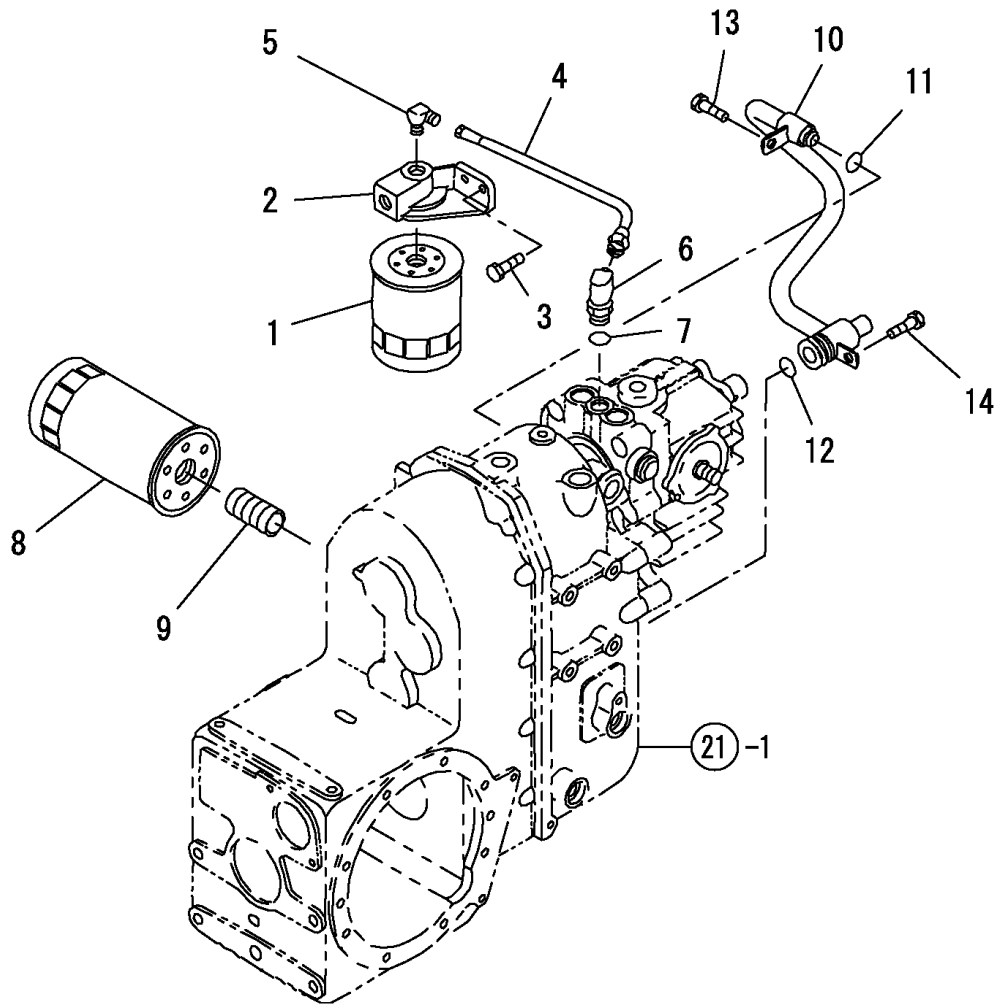
Fig.37. CONTROL VALVE & PIPING



(A)=GE28 (D)=
 (B)= (E)=
 (C)= (F)=

REF.	LEV.	PARTS NO.	DESCRIPTION	QTY						I	R
				(A)	(B)	(C)	(D)	(E)	(F)		
1	1	1W3400-16091	VALVE ASS'Y	1							
2	1	1W0303-00528	SPRING PIN	1							
3	1	1W3401-06520	CONTROL LEVER	1							
4	1	1W3981-80610	GLIP	1							
5	1	22372-040000	SNAP PIN 4	1							
6	1	1W3981-80332	GLIP	1							
7	1	26757-100002	LOCK NUT M10	2							
8	1	1W3406-71730	ADAPTOR	1							
9	1	24311-000110	O-RING 1A P-11.0	1							
10	1	1W3406-71810	ADAPTOR	1							
11	1	26013-080122	BOLT M 8X 12	2							
12	1	1W3407-50300	BRACKET	1							
13	1	26013-100202	BOLT W/WASHER M10X20	2							
14	1	1W3407-08040	OIL PIPE	1							
15	1	1W3984-81040	EYE OR EYE BOLT	2							
16	1	24311-000200	O-RING 1A P-20.0	8							
17	1	1W3406-92900	OIL HOSE;SUCTION	1							
18	1	1W3987-50420	CLIP	2							
19	1	1W3406-92640	OIL HOSE	1							
20	1	1W3407-08050	OIL PIPE	1							
21	1	24311-000150	O-RING 1A P-15.0	2							
22	1	1W3984-81300	EYE OR EYE BOLT	1							
23	1	1W3407-08060	OIL PIPE	1							
24	1	1W0108-00816	BOLT	4							
25	1	1W3407-08070	OIL PIPE	1							
26	1	1W3984-80320	ADAPTOR	1							
27	1	1W3984-80240	NIPPLE	1							
28	1	1W3991-13240	CLAMP	1							
29	1	26013-100162	BOLT M10X 16	1							
30	1	1W3981-13310	RUBBER	1							
31	1	1W3407-09290	OIL PIPE	1							
32	1	26450-060202	BOLT M 6X 20	3							
33	1	1W0108-10635	BOLT	3							
34	1	1W3406-21880	FLANGE	1							
35	1	1W0681-09053	VINYL TUBE	1							
36	1	1W3402-92120	PIN	1							
37	1	1W3981-10140	RUBBER	1							

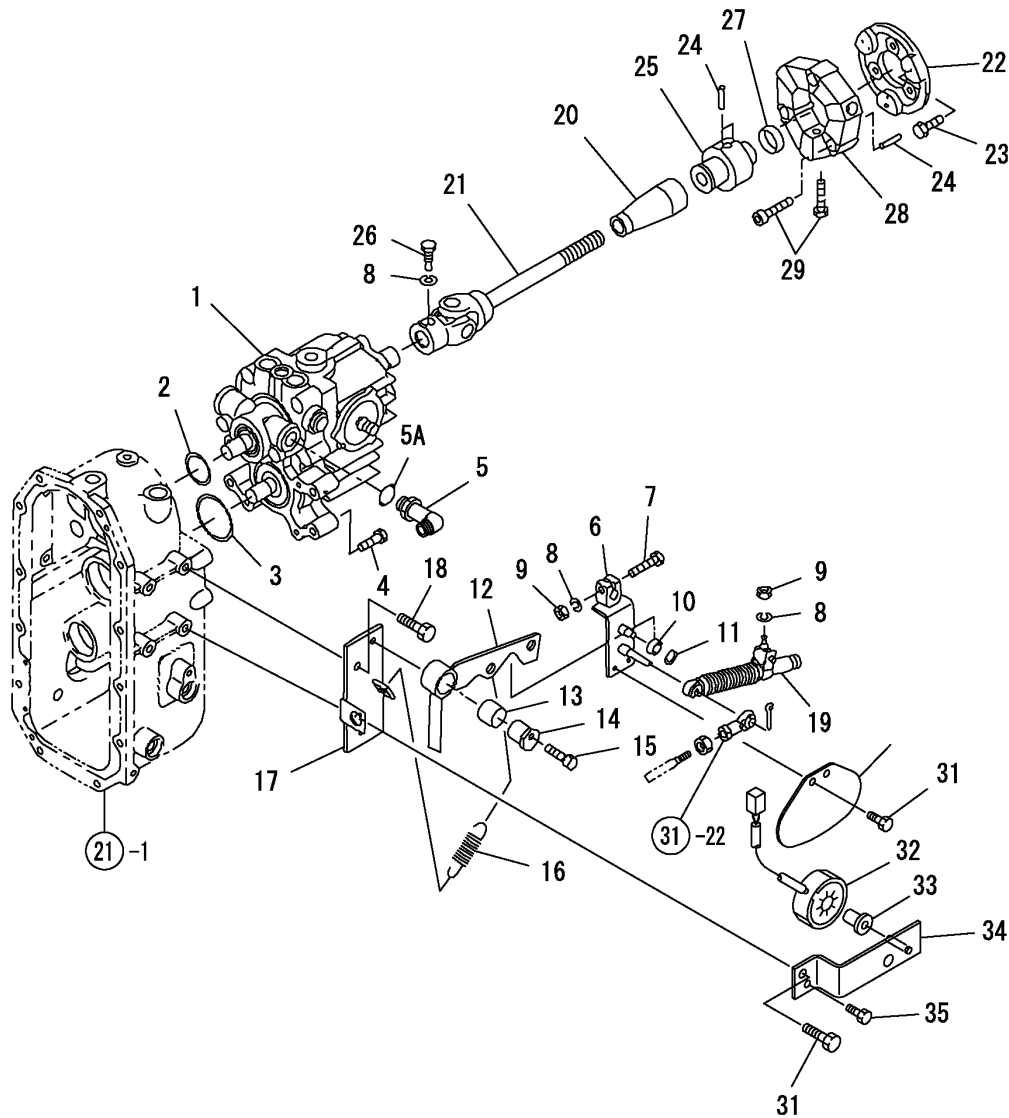
Fig.38. HYDRAULIC FILTER



(A)=GE28 (D)=
 (B)= (E)=
 (C)= (F)=

REF.	LEV.	PARTS NO.	DESCRIPTION	QTY						I	R
				(A)	(B)	(C)	(D)	(E)	(F)		
1	1	1W3405-00890	OIL FILTER	1							
2	1	1W3405-60340	FLANGE	1							
3	1	26013-080202	BOLT W/WASHER M8X20	2							
4	1	1W3406-92060	OIL HOSE G3/8	1							
5	1	1W3984-80640	CONNECTOR	1							
6	1	1W3406-73640	ADAPTOR;PF3/8 ELBOW	1							
7	1	24311-000140	O-RING 1A P-14.0	1							
8	1	1W3405-00930	OIL FILTER	1							
9	1	1W3406-73520	ADAPTOR	1							
10	1	1W3407-07980	OIL PIPE	1							
11	1	24311-000160	O-RING 1A P-16.0	1							
12	1	24311-000250	O-RING 1A P-25.0	2							
13	1	26013-100162	BOLT M10X 16	1							
14	1	26013-100202	BOLT W/WASHER M10X20	1							

Fig.39. COUPLING & HYDRAULIC DRIVE



(A)=GE28

(B)=

(C)=

(D)=

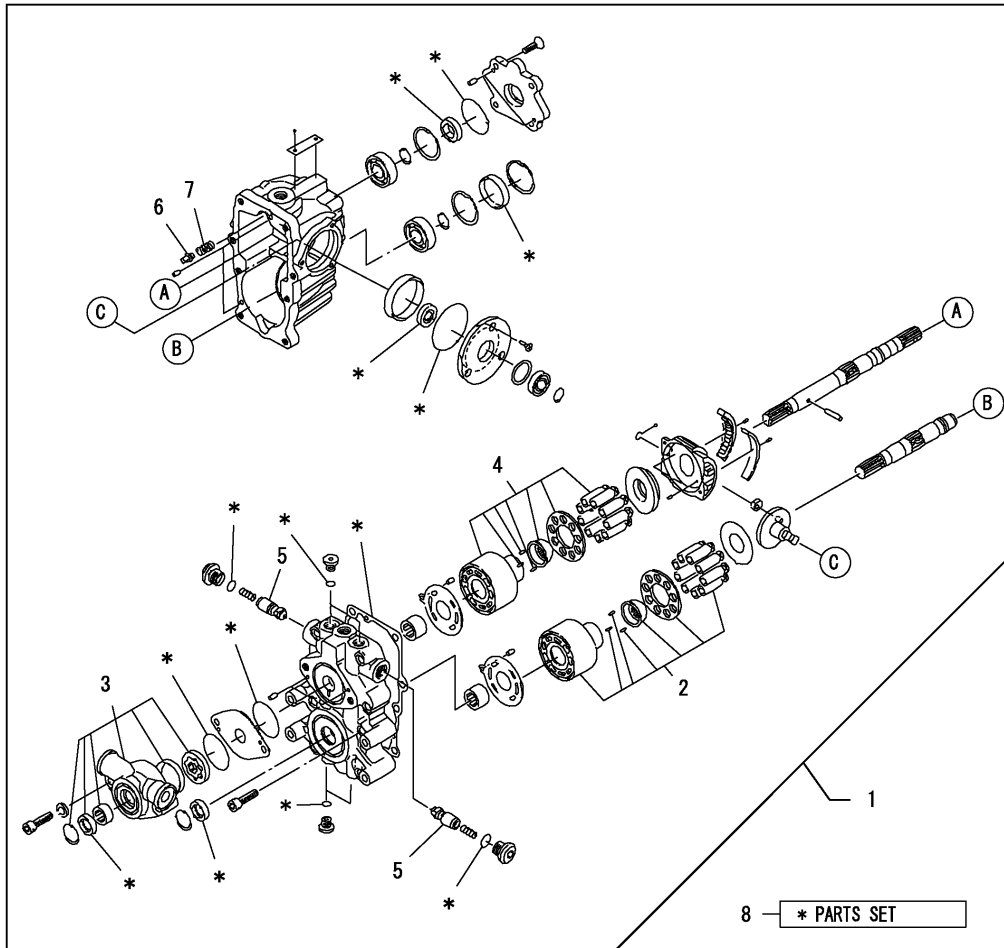
(E)=

(F)=

REF.	LEV.	PARTS NO.	DESCRIPTION	QTY						I	R
				(A)	(B)	(C)	(D)	(E)	(F)		
1	1	1W3228-00160	H.S.T	1							
2	1	24321-000400	O-RING 1A G-40.0	1							
3	1	24321-000600	O-RING 1A G-60.0	1							
4	1	26013-100502	BOLT M10X 50	4							
5	1	1W3406-73870	ADAPTOR G3/8	1							
5A	1	24311-000140	O-RING 1A P-14.0	1							
6	1	1W3401-06620	CONTROL LEVER	1							
7	1	26116-080352	BOLT M 8X 35	1							
8	1	22217-080000	SPRING WASHER 8	3							
9	1	26717-080002	NUT 8	2							
10	1	24104-060004	BALL BEARING	1							
11	1	22242-000100	CIRCLIP 10	1							
12	1	1W3242-02780	SHIFT ARM	1							
13	1	1W3985-10150	BUSH	1							
14	1	1W3241-20980	BOSS	1							
15	1	26013-080452	BOLT M 8X 45	1							
16	1	1W4982-21080	SPRING	1							
17	1	1W3245-01260	SHIFT GUIDE	1							
18	1	26013-100202	BOLT W/WASHER M10X20	2							
19	1	1W3789-10020	DAMPER	1							
20	1	1W3981-20950	RUBBER	1							
21	1	1W3983-80850	JOINT	1							
22	1	1W3226-13220	COUPLING	1							
23	1	26013-100252	BOLT W/WASHER M10X25	3							
24	1	22351-040012	SPRING PIN 4X12	9							
25	1	1W3226-30140	BOSS	1							
26	1	1W0101-09265	BOLT	1							
27	1	27241-250000	PLUG 25	1							
28	1	1W3207-20230	COUPLING	1							
29	1	1W0107-01035	BOLT	6							
30	1	1W3995-68750	PLATE	1							
31	1	1W0108-00814	BOLT	3							
32	1	1W3853-10020	MAGNET ASSEMBLY	1							
33	1	1W3985-11990	BUSH	1							
34	1	1W3995-68740	PLATE	1							
35	1	26013-100252	BOLT W/WASHER M10X25	1							

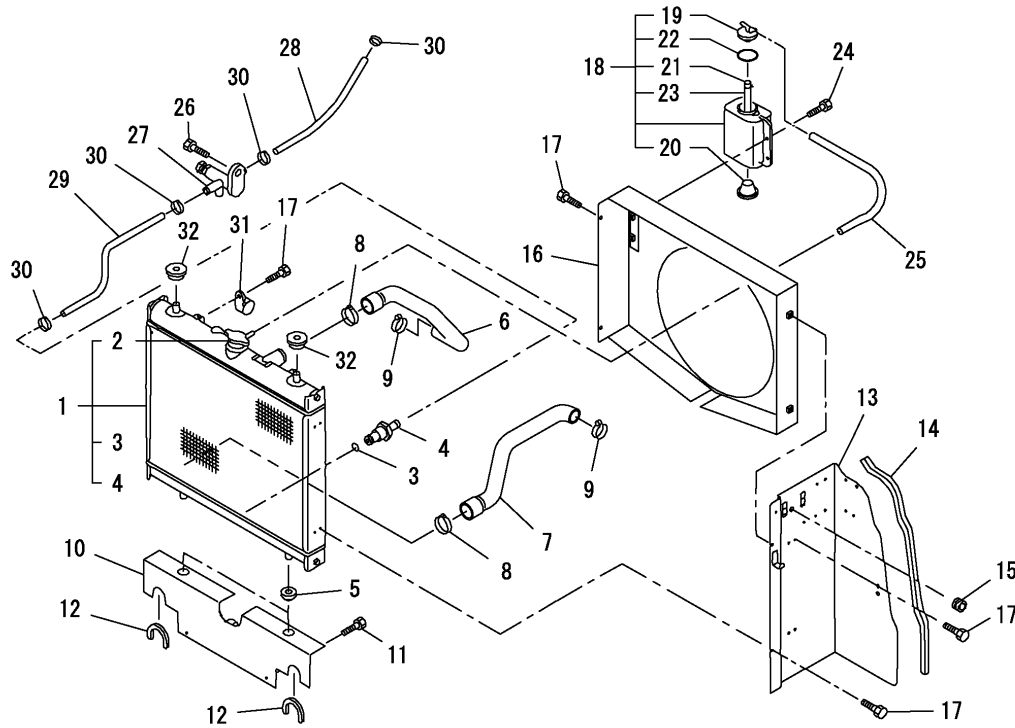
Fig.40. HYDRAU STATIC TRANSMISSION

(A)=GE28 (D)=
 (B)= (E)=
 (C)= (F)=



REF.	LEV.	PARTS NO.	DESCRIPTION	QTY						I	R
				(A)	(B)	(C)	(D)	(E)	(F)		
1	1	1W3228-00160	H.S.T	1							
2	2	1W3228-40825	CILINDER BLOCK KIT	1							
3	2	1W3228-40823	CHARGE PUMP KIT	1							
4	2	1W3228-40824	CILINDER BROCK KIT	1							
5	2	1W3228-40773	VALVE ASSY	2							
6	2	1W3228-40728	VALVE	1							
7	2	1W3228-40727	SPRING	1							
8	1	1W3228-40822	SEAL KIT	1							

Fig.41. RADIATOR

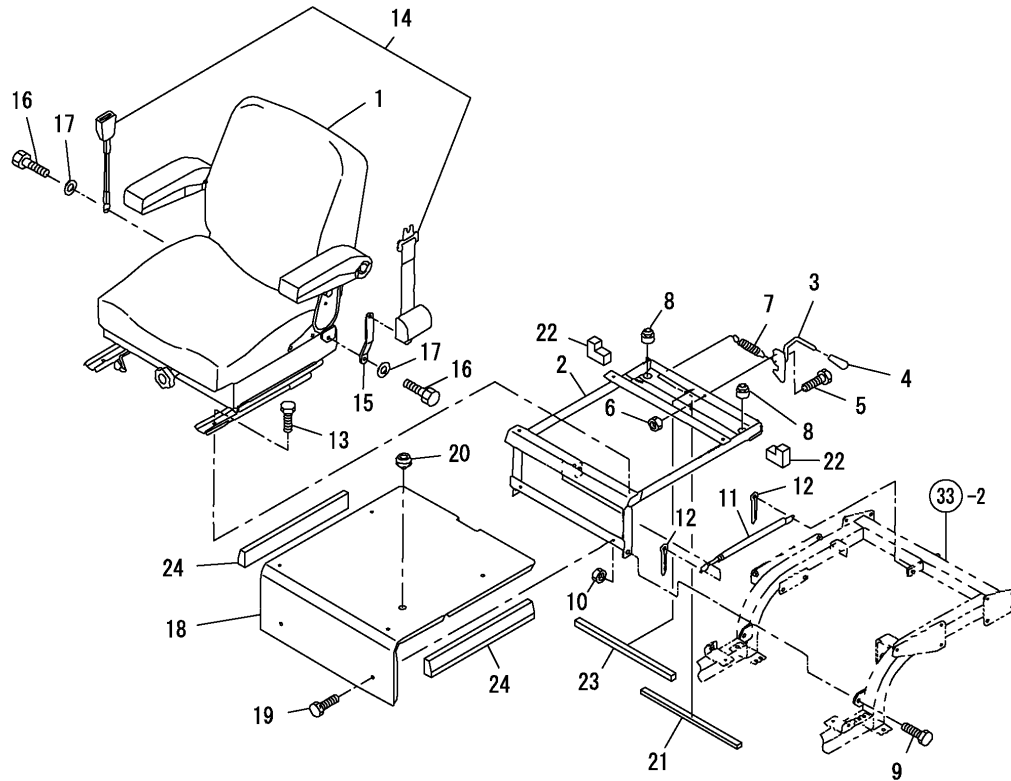


(A)=GE28 (D)=
 (B)= (E)=
 (C)= (F)=

REF.	LEV.	PARTS NO.	DESCRIPTION	QTY						I	R
				(A)	(B)	(C)	(D)	(E)	(F)		
1	1	1W3101-01090	PL.ASSY.,RADIATOR	1							
2	2	1W3101-10200	CAP, RADIATOR	1							
3	2	1W3101-90477	O-RING	1							
4	2	1W3101-30220	DREIN PLUG	1							
5	1	1W3981-19670	RUBBER	2							
6	1	1W3101-61690	RADIATOR HOSE	1							
7	1	1W3101-61700	RADIATOR HOSE	1							
8	1	1W0671-00043	HOSE BAND	2							
9	1	1W0671-00038	HOSE BAND	2							
10	1	1W3103-00880	RADIATOR STAY	1							
11	1	1W0108-00820	BOLT	2							
12	1	1W3981-21160	RUBBER L90	2							
13	1	1W3103-61380	PLATE	1							
14	1	1W3981-17270	RUBBER	1							
15	1	1W3981-10240	RUBBER	1							
16	1	1W3102-50210	PL.ASSY.,SHROUD	1							
17	1	1W0108-00612	BOLT	7							
18	1	121468-44510	SUB-TANK ASSY	1							
19	2	121450-44531	CAP	1							
20	2	121468-44540	PLUG, SUB-TANK	1							
21	2	124450-44560	CLAMP	1							
22	2	121470-44581	GASKET	1							
23	2	23065-070130	PIPE 7X 130	1							
24	1	1W0108-00616	BOLT	2							
25	1	1W3101-20260	OVER FLOW PIPE	1							
26	1	26013-080162	BOLT W/WASHER M8X16	1							
27	1	1W3101-30190	PLUG, DRAIN	1							
28	1	1W3607-71270	FUEL PIPE	1							
29	1	1W3607-70990	FUEL PIPE	1							
30	1	1W3987-50430	BAND	4							
31	1	1W3991-11960	CLAMP	1							
32	1	1W3981-10501	RUBBER	2							

Fig.42. OPERATOR SEAT

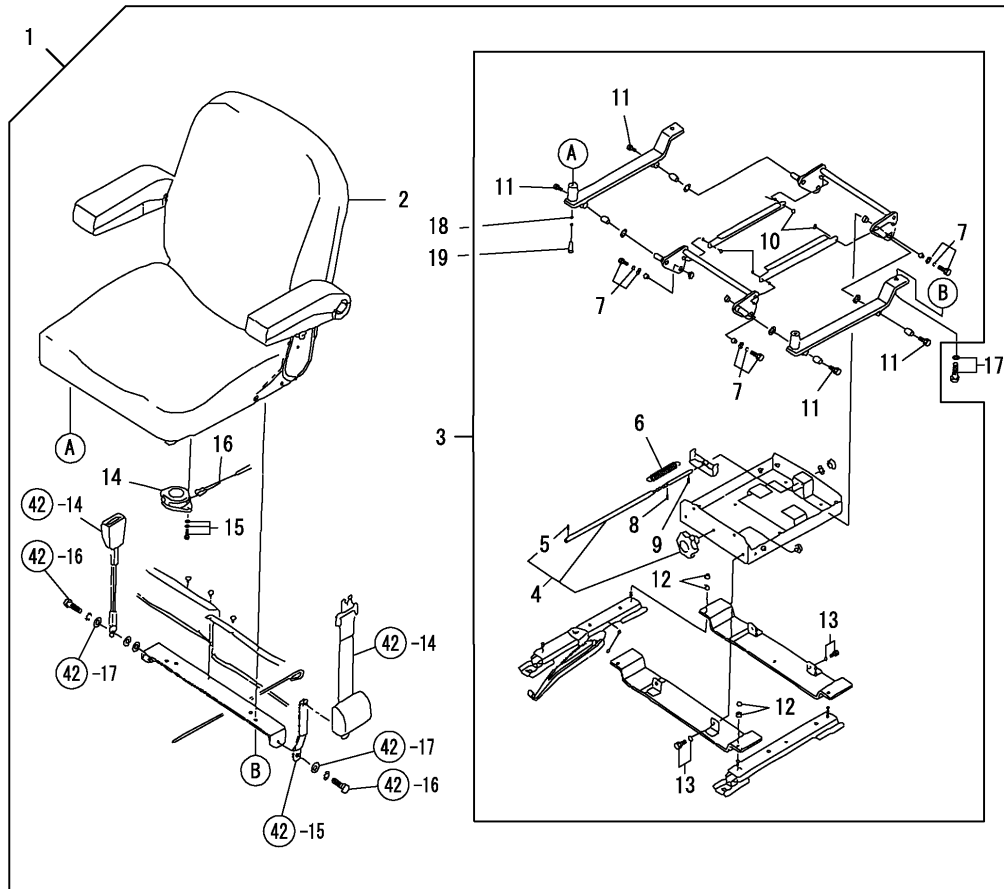
(A)=GE28 (D)=
 (B)= (E)=
 (C)= (F)=



REF.	LEV.	PARTS NO.	DESCRIPTION	QTY						I	R
				(A)	(B)	(C)	(D)	(E)	(F)		
1	1	1W3550-70411	SEAT ASSY	1							
2	1	1W3557-52220	BRACKET	1							
3	1	1W3556-30100	HOOK;SEAT LOCK	1							
4	1	1W4981-80100	GRIP	1							
5	1	26116-100252	BOLT M10X 25 PLATED	1							
6	1	26717-100002	NUT M10	1							
7	1	1W3982-14540	SPRING	1							
8	1	1W3981-10501	RUBBER	2							
9	1	26116-120352	BOLT M12X 35 PLATED	2							
10	1	26717-120002	NUT M12	2							
11	1	1W3789-10240	DUMPER	1							
12	1	1W0301-03225	SPLIT PIN	2							
13	1	26013-080202	BOLT W/WASHER M8X20	4							
14	1	1W3558-50150	BELT, SEAT	1							
15	1	1W3995-68760	PLATE	1							
16	1	26013-100252	BOLT W/WASHER M10X25	3							
17	1	22137-100000	WASHER 10,POLISHED	4							
18	1	1W3552-52430	PL.ASSY,SEAT FLOOR	1							
19	1	1W0108-00816	BOLT	2							
20	1	1W3981-10100	RUBBER	1							
21	1	1W3981-31330	SPONGE	1							
22	1	1W3981-35010	SPONGE;UNDER SEAT	2							
23	1	1W3981-35140	SPONGE	1							
24	1	1W3981-35150	SPONGE	2							

Fig.43. OPERATOR SEAT

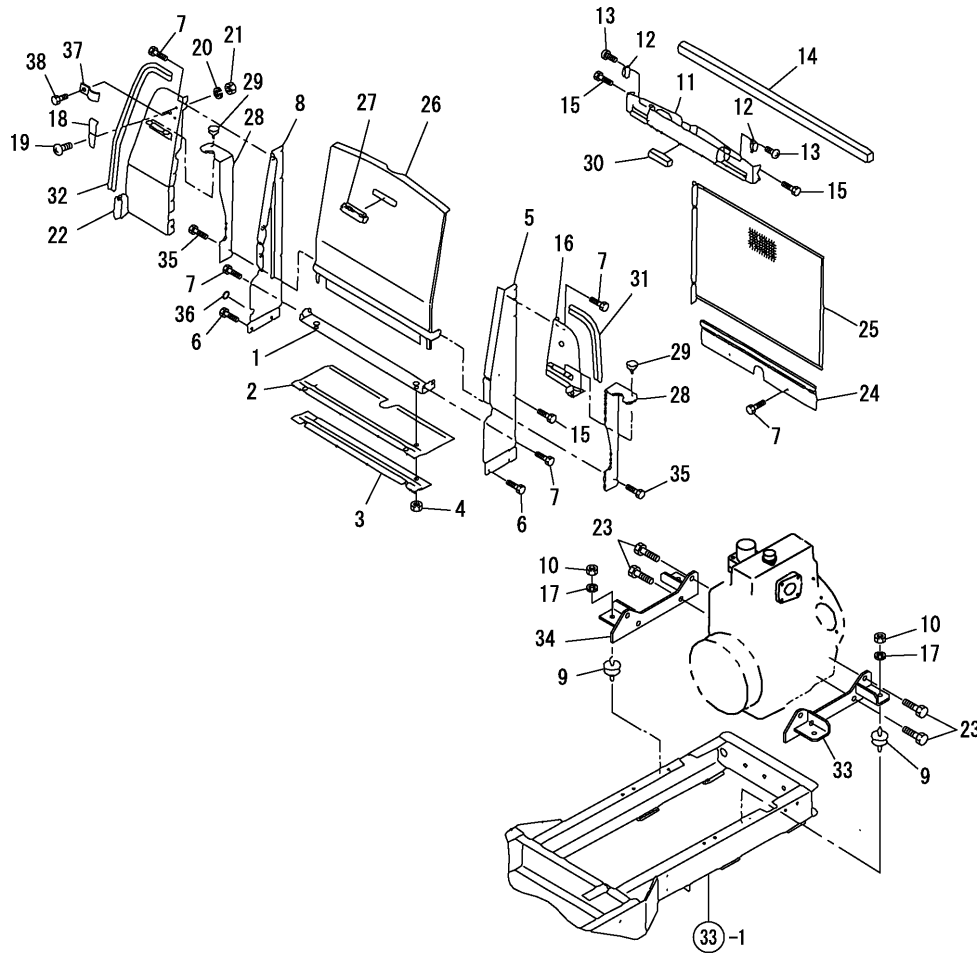
(A)=GE28 (D)=
 (B)= (E)=
 (C)= (F)=



REF.	LEV.	PARTS NO.	DESCRIPTION	QTY						I	R
				(A)	(B)	(C)	(D)	(E)	(F)		
1	1	1W3550-70411	SEAT ASSY	1							
2	2	1W3557-00581	SEAT ASSY	1							
3	2	1W3550-80510	SUSPENSION ASSY	1							
4	3	1W3557-40283	GRIP ASSY	1							
5	4	22351-040020	SPRING PIN 4X20	1							
6	3	1W3557-40282	SPRING	2							
7	3	1W0118-00825	BOLT	4							
8	3	1W0303-00414	PIN	1							
9	3	22351-040010	SPRING PIN 4X10	1							
10	3	1W0156-00516	SCREW	4							
11	3	26207-080162	BOLT M 8X 16 PLATED	4							
12	3	26367-080002	U-NUT M 8	8							
13	3	1W0114-00825	BOLT	4							
14	2	1W3557-40286	SEAT SWITCH SAFETY	1							
15	2	1W0108-09001	BOLT	2							
16	2	1W3557-40287	HARNESS SEAT	1							
17	2	26013-080302	BOLT M 8X 30	2							
18	2	22217-080000	SPRING WASHER 8	2							
19	2	26116-080652	BOLT M 8X 65 PLATED	2							

(A)=GE28 (D)=
 (B)= (E)=
 (C)= (F)=

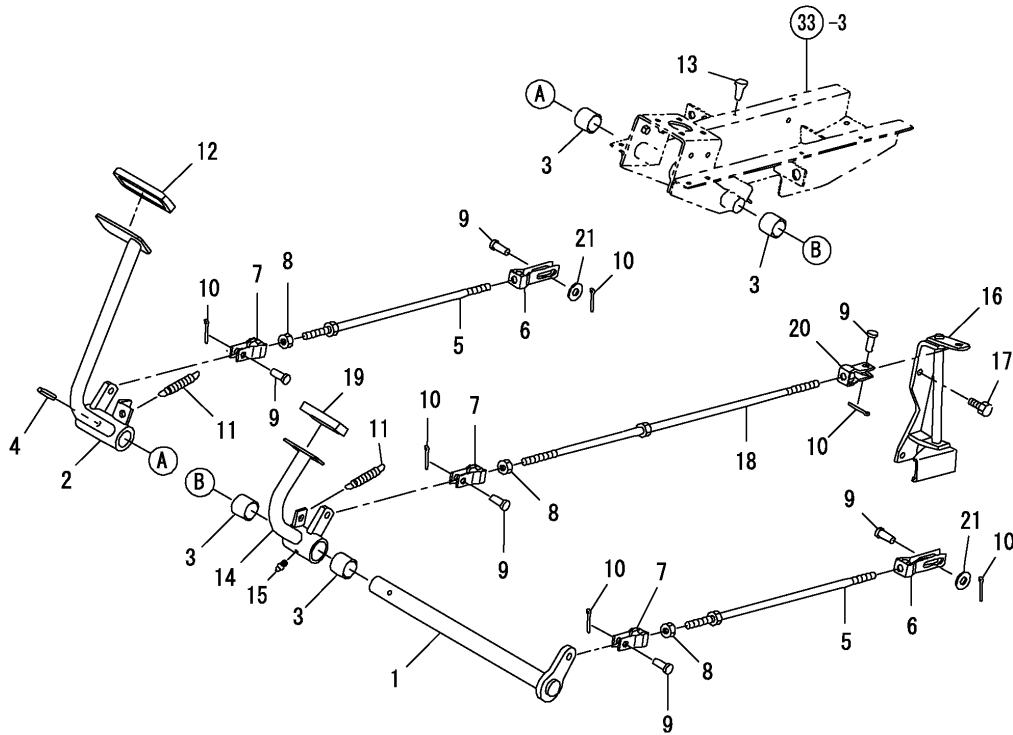
Fig.44. ENGINE SUPPORT



REF.	LEV.	PARTS NO.	DESCRIPTION	QTY						I	R
				(A)	(B)	(C)	(D)	(E)	(F)		
1	1	1W3103-52670	PLATE	1							
2	1	1W3981-20971	RUBBER	1							
3	1	1W3103-61391	PLATE	1							
4	1	26367-080002	U-NUT M 8	2							
5	1	1W3103-00860	RADIATOR STAY;L	1							
6	1	26013-100202	BOLT W/WASHER M10X20	4							
7	1	1W0108-00816	BOLT	12							
8	1	1W3103-00910	RADIATOR STAY;R	1							
9	1	1W3981-20790	RUBBER	4							
10	1	26717-100002	NUT M10	4							
11	1	1W3103-52640	PLATE	1							
12	1	1W3983-30290	KNOB	2							
13	1	22857-400161	SCREW M4X16,TAPPING	4							
14	1	1W3981-33690	SPONGE	1							
15	1	1W0108-00612	BOLT	8							
16	1	1W3103-52690	PLATE	1							
17	1	22217-100000	SPRING WASHER 10	4							
18	1	1W3983-30320	HINGE	1							
19	1	26577-050122	SCREW M 5X 12	2							
20	1	22217-050000	SPRING WASHER 5	2							
21	1	1W0201-00005	NUT	2							
22	1	1W3103-52970	PLATE;R	1							
23	1	26013-120252	BOLT M12X 25	8							
24	1	1W3103-53400	PL.ASSY,PLATE	1							
25	1	1W3101-40910	NET	1							
26	1	1W3503-12080	FRONT MASK	1							
27	1	1W3981-81770	GRIP	1							
28	1	1W3981-20980	RUBBER	2							
29	1	1W3983-40240	CLIP	4							
30	1	1W3981-34730	SPONGE	1							
31	1	1W3981-17710	RUBBER	1							
32	1	1W3981-18540	RUBBER	1							
33	1	1W3106-00700	ENGINE SUPPORT	1							
34	1	1W3106-00720	ENGINE SUPPORT	1							
35	1	1W0108-00820	BOLT	2							
36	1	1W3981-10100	RUBBER	1							
37	1	1W3991-11311	CLAMP	1							
38	1	1W0108-00620	BOLT	1							

Fig.45. BRAKE PEDAL

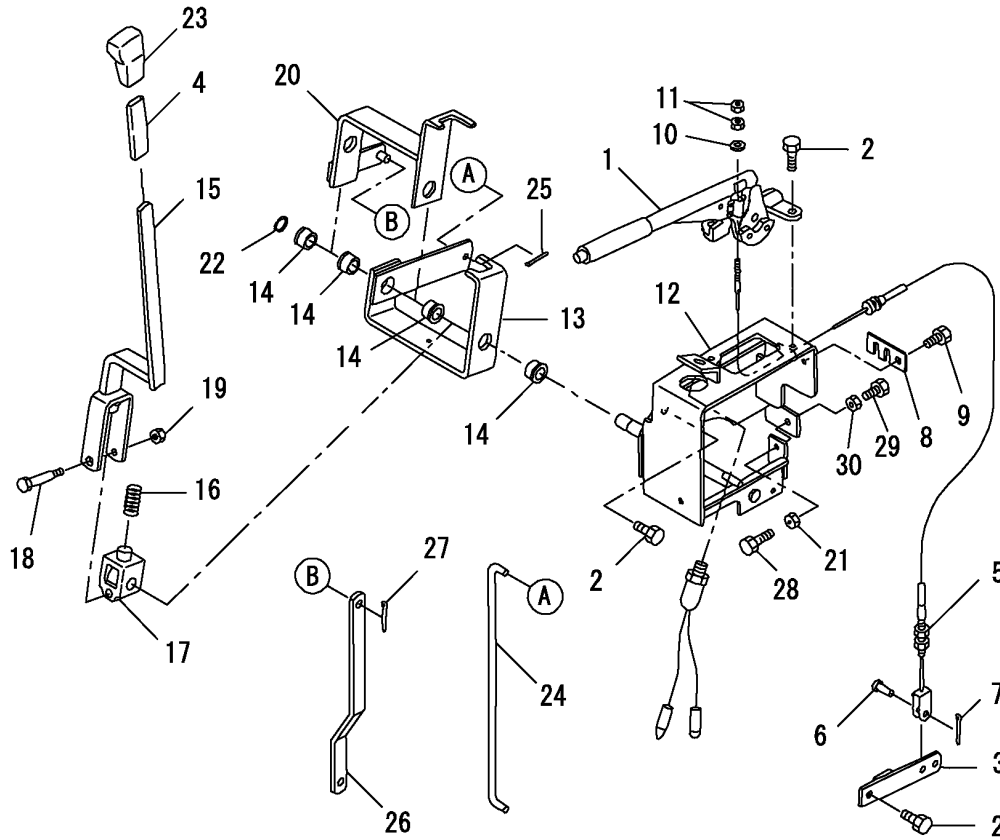
(A)=GE28 (D)=
 (B)= (E)=
 (C)= (F)=



REF.	LEV.	PARTS NO.	DESCRIPTION	QTY						I	R
				(A)	(B)	(C)	(D)	(E)	(F)		
1	1	1W3582-00940	PEDAL SHAFT	1							
2	1	1W3581-04750	PEDAL	1							
3	1	1W3985-10070	BUSH	4							
4	1	22351-080040	SPRING PIN 8X40	1							
5	1	1W3585-00261	ROD	2							
6	1	1W3585-50190	FORK JOINT	2							
7	1	1W3585-50010	FORK JOINT	3							
8	1	26717-100002	NUT M10	3							
9	1	1W0313-11020	PIN	6							
10	1	1W0301-03225	SPLIT PIN	6							
11	1	1W3982-10290	SPRING	2							
12	1	1W3981-17790	RUBBER	1							
13	1	1W3981-10110	RUBBER	2							
14	1	1W3581-04770	PEDAL	1							
15	1	24761-010000	NIPPLE M6F, GREASE	1							
16	1	1W3265-50210	DIFFLOCK LEVER	1							
17	1	1W0108-00816	BOLT	2							
18	1	1W3585-11120	ROD	1							
19	1	1W3981-13000	RUBBER	1							
20	1	1W3585-50020	FORK JOINT	1							
21	1	22137-100000	WASHER 10,POLISHED	2							

(A)=GE28 (D)=
 (B)= (E)=
 (C)= (F)=

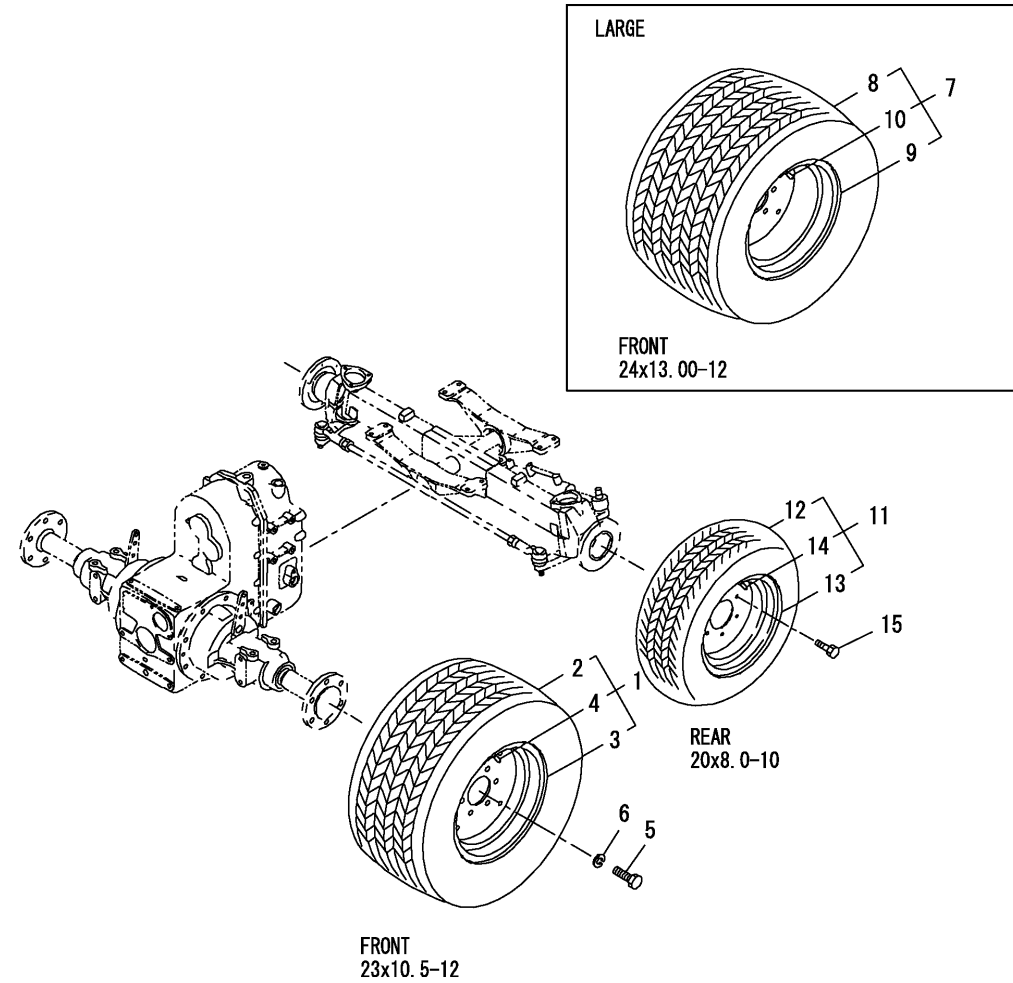
Fig.46. HAND BRAKE



REF.	LEV.	PARTS NO.	DESCRIPTION	QTY						I	R
				(A)	(B)	(C)	(D)	(E)	(F)		
1	1	1W3286-50190	SIDE BRAKE	1							
2	1	26013-100202	BOLT W/WASHER M10X20	7							
3	1	1W3284-00560	BRAKE LEVER	2							
4	1	1W0681-09053	VINYL TUBE	1							
5	1	1W3127-00661	WIRE;BRAKE	2							
6	1	1W0313-10820	PIN	2							
7	1	1W0301-03225	SPLIT PIN	2							
8	1	1W3127-40230	WIRE HOLDER	1							
9	1	1W0108-00816	BOLT	1							
10	1	22137-060000	WASHER 6, POLISHED	2							
11	1	1W0201-00006	NUT	4							
12	1	1W3283-20920	BRACKET SUPPORT	1							
13	1	1W3241-06670	CHANGE LEVER	1							
14	1	1W3985-11320	BUSH	4							
15	1	1W3241-06710	CHANGE LEVER	1							
16	1	1W3982-15500	SPRING	1							
17	1	1W3241-21000	BOSS	1							
18	1	1W3994-31070	BOLT	1							
19	1	1W0215-00008	NUT	1							
20	1	1W3241-06690	CHANGE LEVER	1							
21	1	26717-080002	NUT 8	1							
22	1	22242-000150	CIRCLIP 15	1							
23	1	1W3981-80890	GRIP	1							
24	1	1W3243-62080	SHIFT LINK	1							
25	1	22417-200250	COTTER PIN 2.0X25	2							
26	1	1W3243-62090	SHIFT LINK	1							
27	1	1W0301-03225	SPLIT PIN	2							
28	1	26116-080252	BOLT M 8X 25 PLATED	1							
29	1	26116-080252	BOLT M 8X 25 PLATED	1							
30	1	26717-080002	NUT 8	1							

Fig.47. FRONT WHEEL & REAR WHEEL

(A)=GE28 (D)=
 (B)= (E)=
 (C)= (F)=

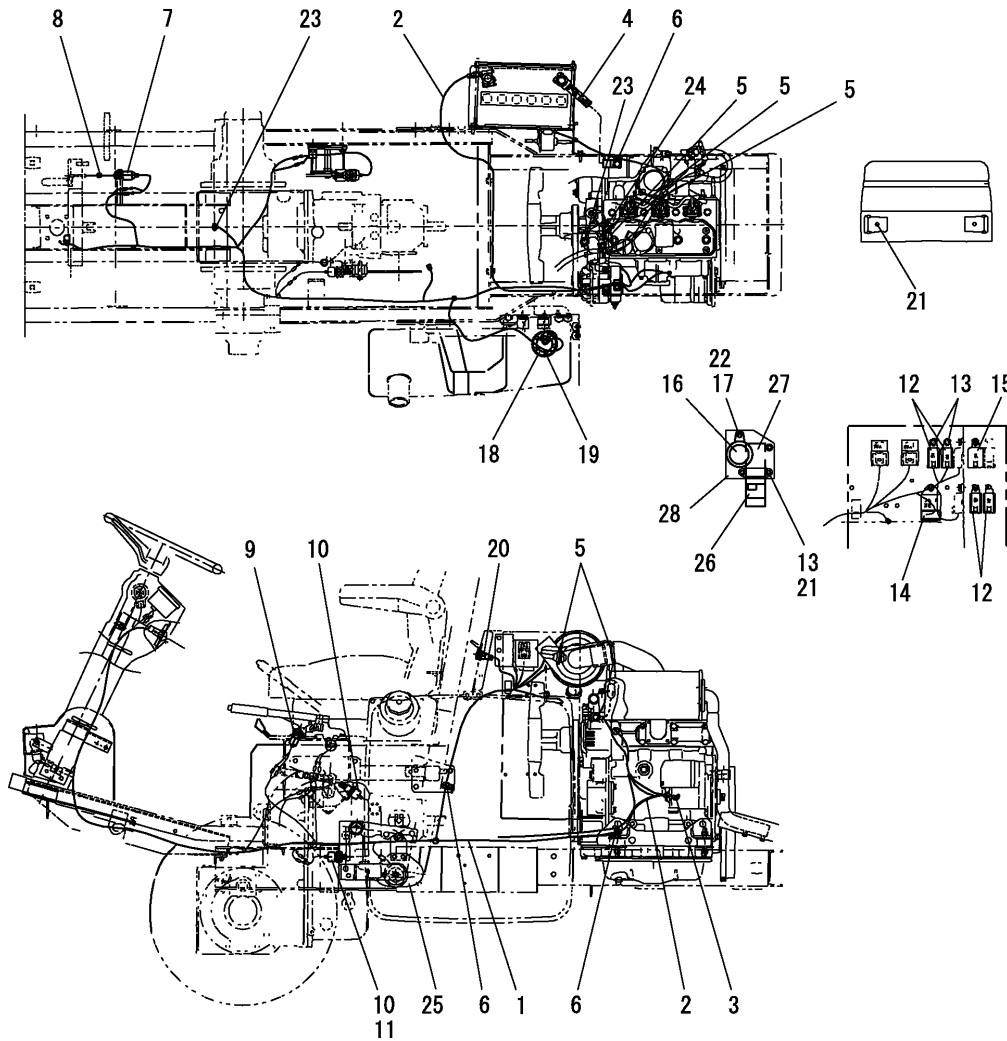


REF.	LEV.	PARTS NO.	DESCRIPTION	QTY						I	R
				(A)	(B)	(C)	(D)	(E)	(F)		
1	1	1W3360-35690	FRONT WHEEL ASS'Y	2							
2	2	1W3361-32640	TIRE;23X10.5-12	2							
3	2	1W3361-03420	DISC WHEEL	2							
4	2	1W3361-50020	VALVE ASS'Y ;TR-415	2							
5	1	1W0101-09439	BOLT	12							
6	1	22217-140000	SPRING WASHER 14	12							
7	1	1W3360-35710	FRONT WHEEL ASS'Y	2							1
8	2	1W3361-32661	TIRE;24X13.00-12	2							1
9	2	1W3361-03460	DISC WHEEL	2							1
10	2	1W3361-50020	VALVE ASS'Y ;TR-415	2							
11	1	1W3360-19132	WHEEL ASS'Y	2							
12	2	1W3361-32650	TIRE;20X8.0-10	2							
13	2	1W3361-02261	DISC WHEEL	2							
14	2	1W3361-50020	VALVE ASS'Y ;TR-415	2							
15	1	1W0113-11020	BOLT	12							

Remarks
 (1) FOR TYPE LARGE TIRE

(A)=GE28 (D)=
 (B)= (E)=
 (C)= (F)=

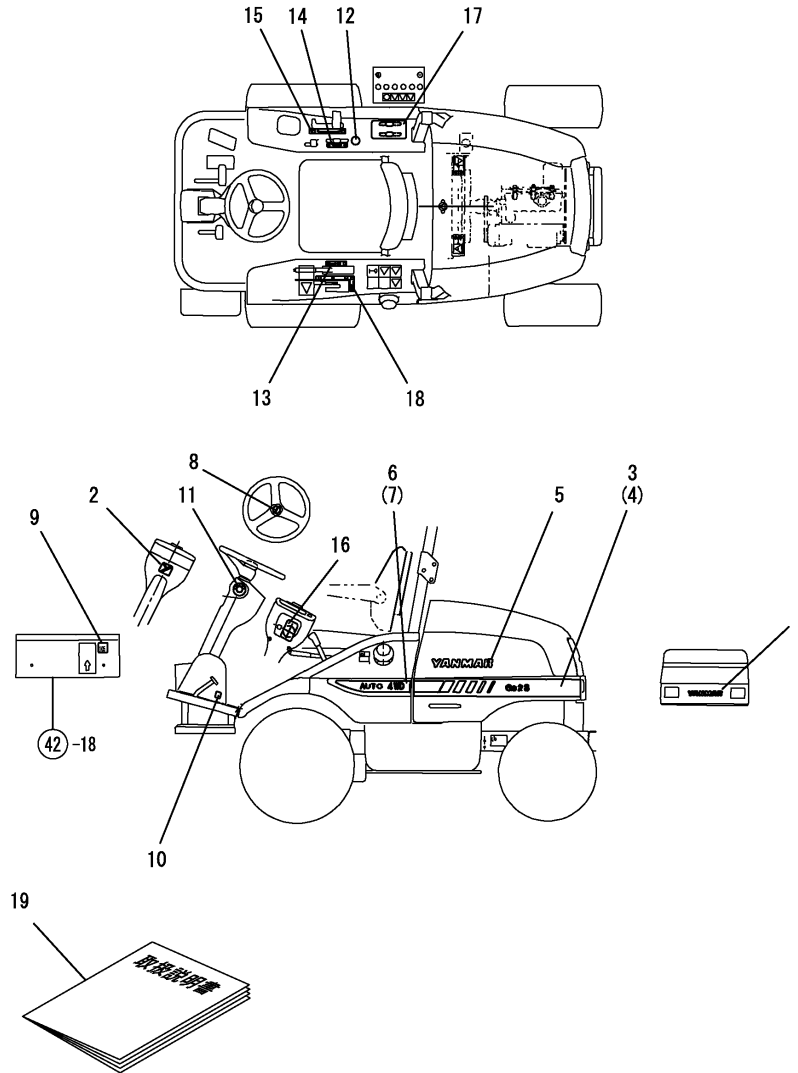
Fig.48. WIRE HARNESS



REF.	LEV.	PARTS NO.	DESCRIPTION	QTY						I	R
				(A)	(B)	(C)	(D)	(E)	(F)		
1	1	1W3856-11770	WIRE HARNESS	1							
2	1	1W3856-50461	BATTERY CABLE	1							
3	1	1W3981-19870	RUBBER:STARTER COVER	1							
4	1	1W3856-50511	BATTERY CABLE	1							
5	1	1W3987-50150	BAND	4							
6	1	1W3991-10340	CLAMP	4							
7	1	1W4852-20180	SWITCH ASSY.	1							
8	1	1W3982-11880	SPRING	1							
9	1	1W3852-00730	SWITCH ASSY	1							
10	1	1W3852-00891	SWITCH ASSY.	2							
11	1	1W3852-40038	NUT	1							
12	1	1W3852-30300	RELAY	4							
13	1	1W0108-00616	BOLT	9							
14	1	1W3858-70640	CONTROLLER	1							
15	1	1W3852-30250	RELAY	1							
16	1	1W3852-50130	BUZZER ASS'Y	1							
17	1	26023-050202	SCREW M 5X 20	1							
18	1	1W3852-80210	FUEL GAUGE	1							
19	1	1W0151-40514	SCREW	5							
20	1	1W3857-50360	GIGAR LIGHTER ASS'Y	1							
21	1	26367-060002	NUT M 6	3							
22	1	26367-050002	NUT M 5	1							
23	1	1W0108-00812	BOLT	2							
24	1	1W3987-50220	BAND	2							
25	1	1W3991-12851	CLAMP	1							
26	1	1W3852-30120	FLASHER UNIT	1							
27	1	1W3858-70750	CONTROLLER QHS	1							
28	1	1W3859-72660	BRACKET	1							

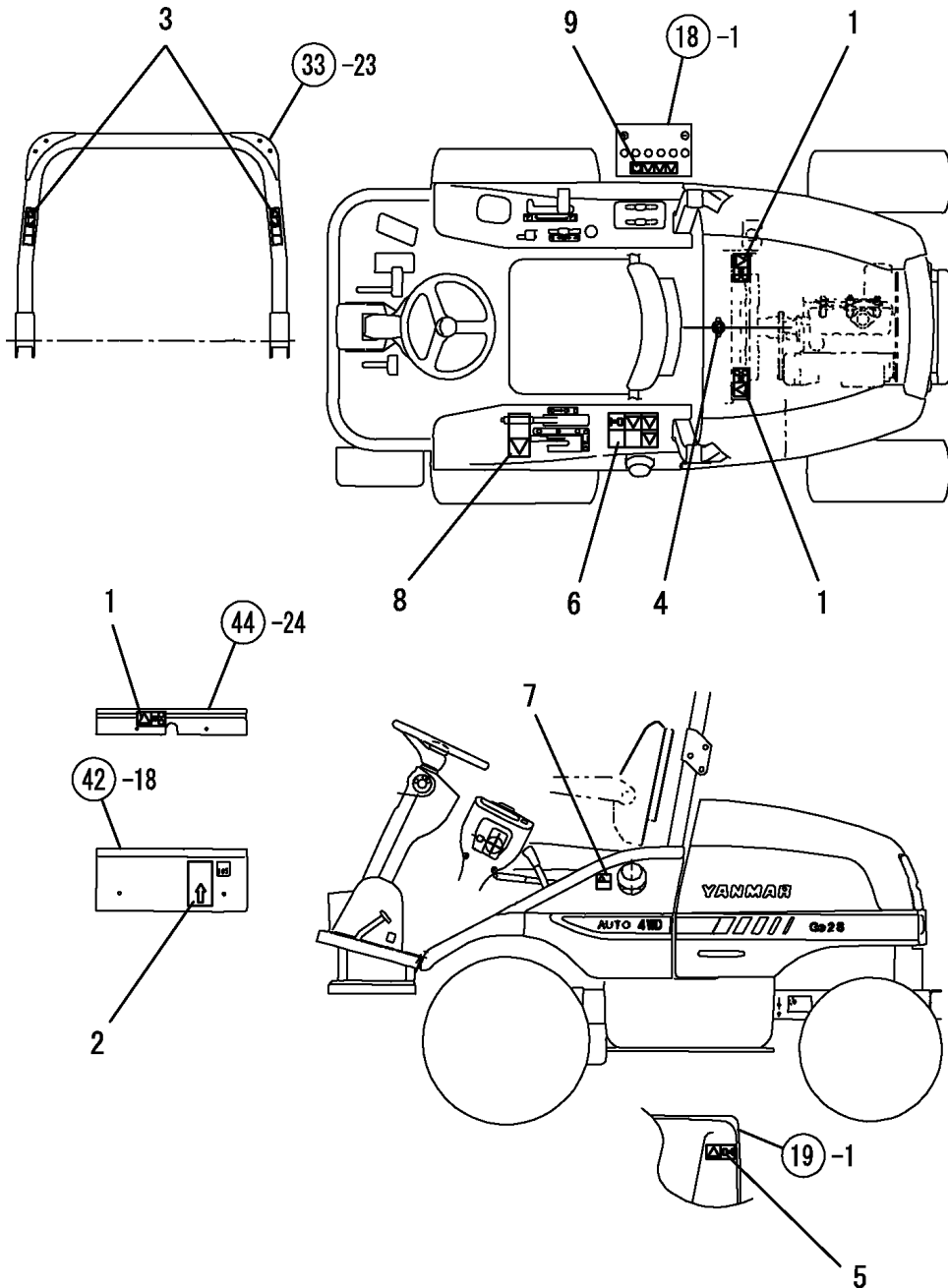
Fig.49. LABELS & ACCESSORIES

(A)=GE28 (D)=
 (B)= (E)=
 (C)= (F)=



REF.	LEV.	PARTS NO.	DESCRIPTION	QTY						I	R
				(A)	(B)	(C)	(D)	(E)	(F)		
1	1	1C6720-95030	MARK B,"YANMAR"	1							
2	1	1W3901-00841	NAME PLATE	1							
3	1	1W3901-22540	NAME PLATE	1							
4	1	1W3901-22550	NAME PLATE	1							
5	1	198124-65630	MARK (YANMAR)	2							
6	1	1W3901-22400	BONNET NAME PLATE;L	1							
7	1	1W3901-22410	BONNET NAME PLATE;R	1							
8	1	1W3901-01400	NAME PLATE;HANDLE	1							
9	1	1A7080-92210	SOUND LEVEL MARK	1							
10	1	1W3901-91690	CAUTION PLATE	1							
11	1	1W3901-98510	CAUTION PLATE;KEY SW	1							
12	1	1W3903-72000	INDICATING PLATE	1							
13	1	1W3901-97710	CAUTION PLATE;PARK	1							
14	1	1W3903-72400	INDICATING MARK	1							
15	1	1W3901-73600	INDICATING PLATE;PTO	1							
16	1	1W3901-98420	CAUTION PLATE	1							
17	1	1W3901-98490	CAUTION PLATE;LEVER	1							
18	1	1W3901-73650	INDICATING PLATE	1							
19	1	1W3008-12880	OPERATOR'S MANUAL	1							

Fig.50. LABELS(SAFETY)



(A)=GE28

(B)=

(C)=

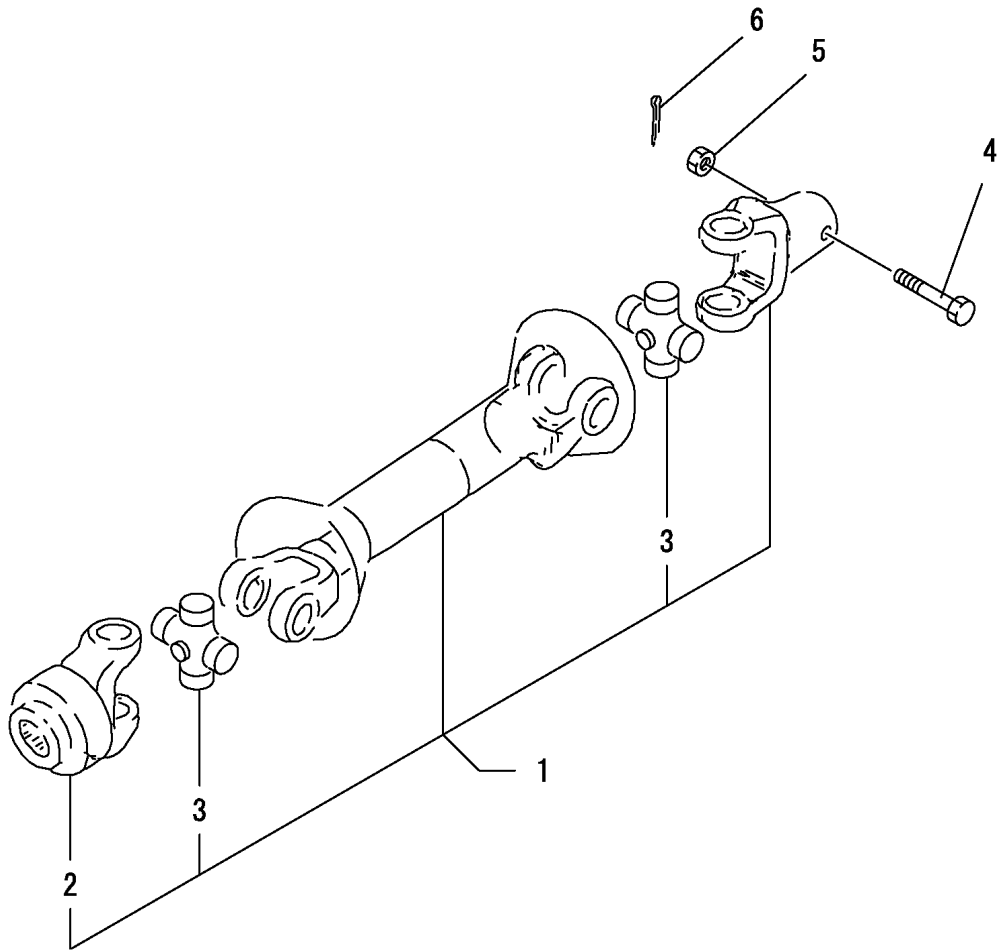
(D)=

(E)=

(F)=

REF.	LEV.	PARTS NO.	DESCRIPTION	QTY						I	R
				(A)	(B)	(C)	(D)	(E)	(F)		
1	1	1W4909-92470	CAUTION MARK	3							
2	1	1W3901-96910	CAUTION PLATE	1							
3	1	1W3901-96900	CAUTION PLATE	2							
4	1	1W4909-92490	CAUTION MARK	1							
5	1	1W4909-92440	CAUTION MARK	1							
6	1	1W4909-92450	CAUTION MARK	1							
7	1	1W4909-92430	CAUTION MARK	1							
8	1	1W3901-98260	CAUTION PLATE	1							
9	1	1W4909-92480	CAUTION MARK	1							

Fig.51. UNIVERSAL JOINT

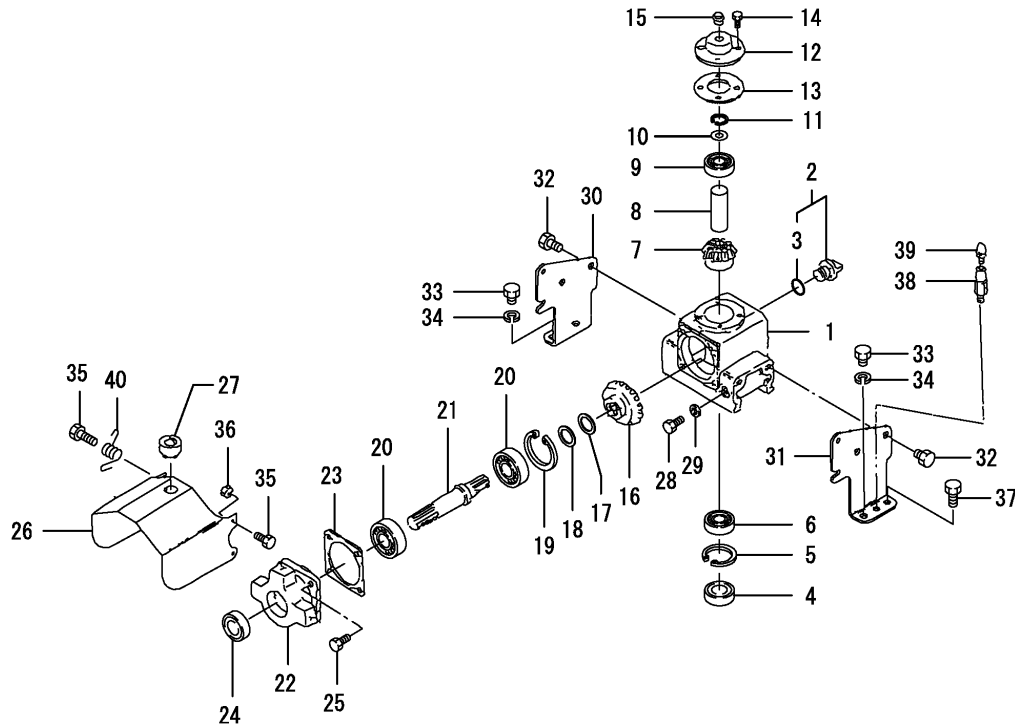


(A)=RM60F (D)=
 (B)= (E)=
 (C)= (F)=

REF.	LEV.	PARTS NO.	DESCRIPTION	QTY						I	R
				(A)	(B)	(C)	(D)	(E)	(F)		
1	1	1W6976-00320	PL.ASSY.,JOINT	1							
2	2	1W6977-10340	YOKE	1							
3	2	1W6977-20050	SPIDER KIT	2							
4	1	1W0101-09546	BOLT	1							
5	1	26817-080002	CASTLE NUT M 8	1							
6	1	1W0301-02520	SPLIT PIN	1							

Fig.52. GEAR BOX

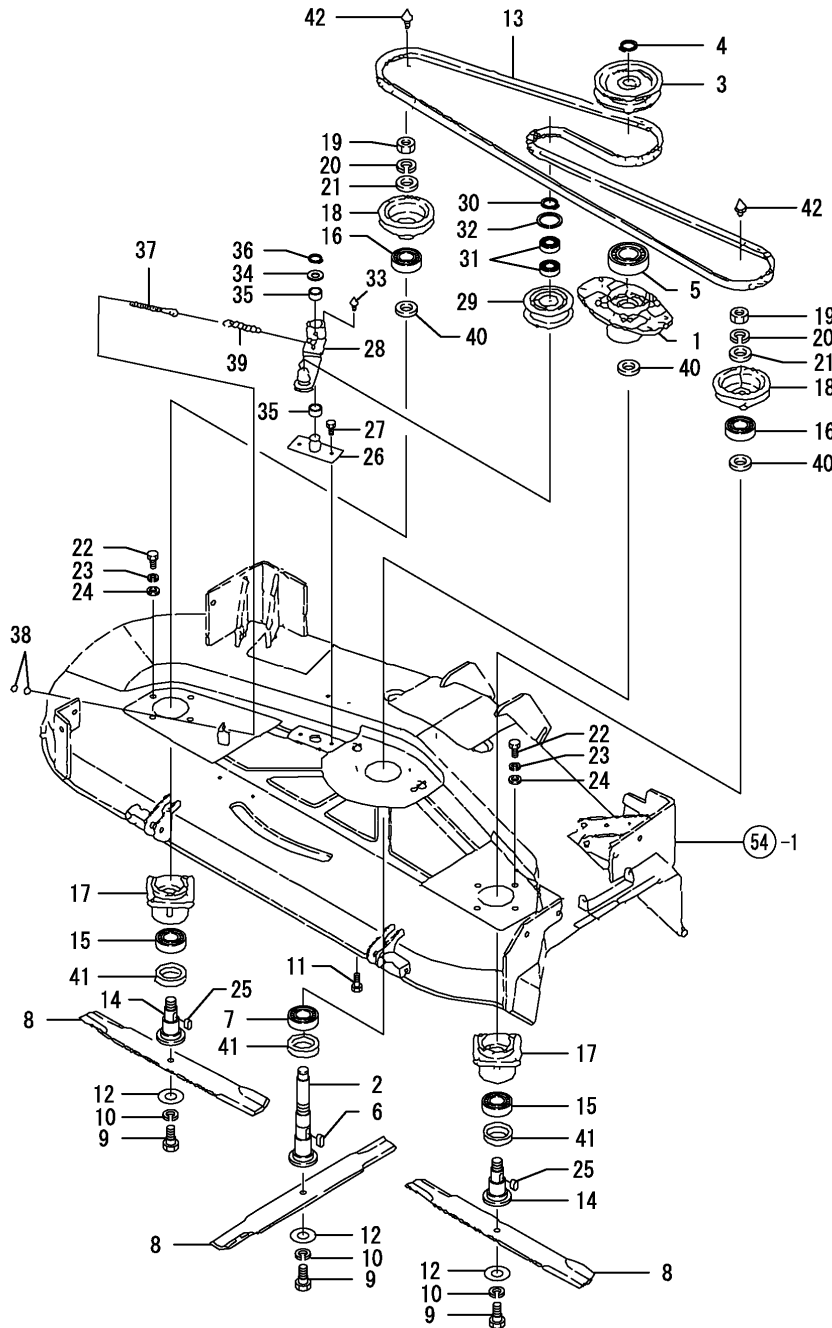
(A)=RM60F (D)=
 (B)= (E)=
 (C)= (F)=



REF.	LEV.	PARTS NO.	DESCRIPTION	QTY						I	R
				(A)	(B)	(C)	(D)	(E)	(F)		
1	1	1W6104-60410	GEAR BOX	1							
2	1	1W1984-50531	OIL FILL PLUG ASSY	1							
3	2	24311-000180	O-RING 1A P-18.0	1							
4	1	1W0502-09037	OIL SEAL	1							
5	1	22252-000520	CIRCLIP 52	1							
6	1	24101-062054	BEARING #6205	1							
7	1	1W6133-10130	BEVEL GEAR	1							
8	1	1W4992-34340	COLLAR	1							
9	1	24101-063034	BALL BEARING	1							
10	1	1W4992-80360	SHIM	1							
11	1	22242-000170	CIRCLIP 17	1							
12	1	1W6106-00230	BOX COVER	1							
13	1	1W6109-90210	PACKING	1							
14	1	26013-060164	BOLT M 6X 16	4							
15	1	1WE010-10110	VENT	1							
16	1	1W6133-10120	BEVEL GEAR	1							
17	1	1W4992-80340	SHIM	1							
18	1	1W4992-80330	SHIM	1							
19	1	22252-000620	CIRCLIP 62(H)	1							
20	1	24101-063054	BEARING #6305	2							
21	1	1W6132-70360	SHAFT	1							
22	1	1W6102-10630	BEARING CASE	1							
23	1	1W6109-90200	PACKING	1							
24	1	1W0502-09078	OIL SEAL	1							
25	1	26013-080204	BOLT M 8X 20	4							
26	1	1W6302-51150	PL.ASSY.,COVER	1							
27	1	1W3981-10501	RUBBER	1							
28	1	1W0108-00814	BOLT	1							
29	1	1W0251-00008	SEAL WASHER	1							
30	1	1W6105-60770	STAY;L	1							
31	1	1W6105-60780	STAY;R	1							
32	1	1W0115-11220	BOLT	4							
33	1	1W0132-11216	BOLT	2							
34	1	22217-120000	SPRING WASHER	2							
35	1	1W0108-00825	BOLT	4							
36	1	1W0223-00008	U-NUT	4							
37	1	26013-120402	BOLT M12X 40	2							
38	1	1W6383-60220	PIPE	1							
39	1	1W0606-39801	GREASE NIPPLE	1							
40	1	1W3982-15000	SPRING	1							

Fig.53. PULLEY & BLADE

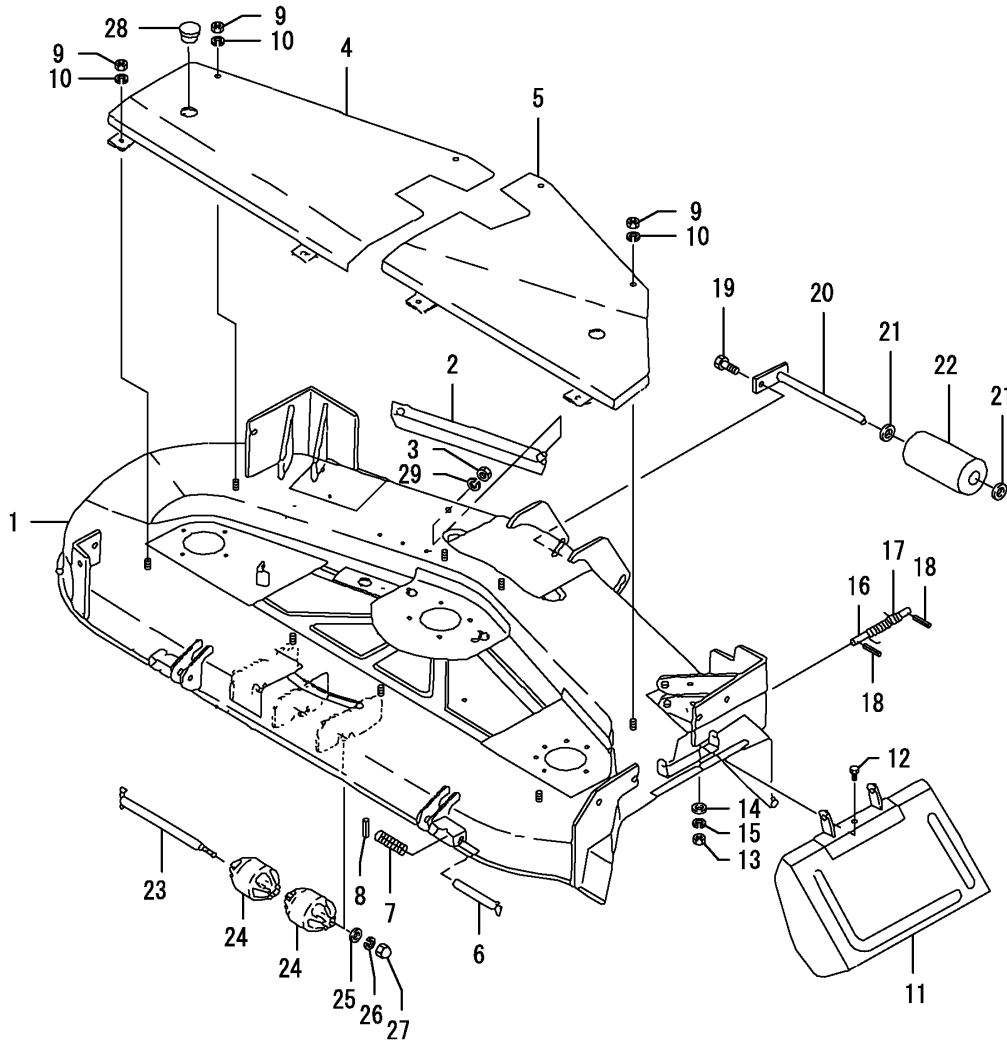
(A)=RM60F (D)=
(B)= (E)=
(C)= (F)=



REF.	LEV.	PARTS NO.	DESCRIPTION	QTY						I	R
				(A)	(B)	(C)	(D)	(E)	(F)		
1	1	1W6102-10610	CASE;CENTER	1							
2	1	1W6134-60451	SHAFT;CENTER	1							
3	1	1W6301-10740	PULLEY;CENTER	1							
4	1	22242-000250	CIRCLIP 25S	1							
5	1	24105-062084	BALL BEARING	1							
6	1	1W0341-09803	KEY	1							
7	1	24101-062064	BALL BEARING	1							
8	1	1W6453-10221	BLADE	3							
9	1	1W4994-30971	BOLT	3							
10	1	22217-180000	SPRING WASHER 18	3							
11	1	1W0116-11220	BOLT	4							
12	1	1W4992-12020	SPACER	3							
13	1	1W0805-29118	V-BELT	1							
14	1	1W6134-60230	SHAFT	2							
15	1	24101-062064	BALL BEARING	2							
16	1	24105-060084	BALL BEARING	2							
17	1	1W6102-10620	CASE;SIDE	2							
18	1	1W6301-10750	PULLEY;SIDE	2							
19	1	1W0204-09801	NUT	2							
20	1	1W0271-09801	SPRING WASHER	2							
21	1	1W0251-09003	SEAL WASHER	2							
22	1	1W0132-11230	BOLT	8							
23	1	22217-120000	SPRING WASHER	8							
24	1	22137-120000	WASHER 12,POLISHED	8							
25	1	1W0341-09803	KEY	2							
26	1	1W6383-70100	PIN COMP	1							
27	1	26013-100162	BOLT M10X 16	2							
28	1	1W6322-00400	TENSION ARM	1							
29	1	1W6322-60230	PULLEY	1							
30	1	22242-000170	CIRCLIP 17	1							
31	1	1W0401-09134	BALL BEARING;6203C3	2							
32	1	22252-000400	CIRCLIP 40	1							
33	1	1W0606-39801	GREASE NIPPLE	1							
34	1	1W4992-12220	SPACER	1							
35	1	1W4985-10120	BUSH	2							
36	1	22242-000250	CIRCLIP 25S	1							
37	1	1W6323-20051	ROD	1							
38	1	26717-100002	NUT M10	2							
39	1	1W4982-22240	SPRING	1							
40	1	1W4992-11550	COLLAR	3							
41	1	1W0502-09835	OIL SEAL	3							
42	1	24761-020000	NIPPLE PT1/8,GREASE	2							

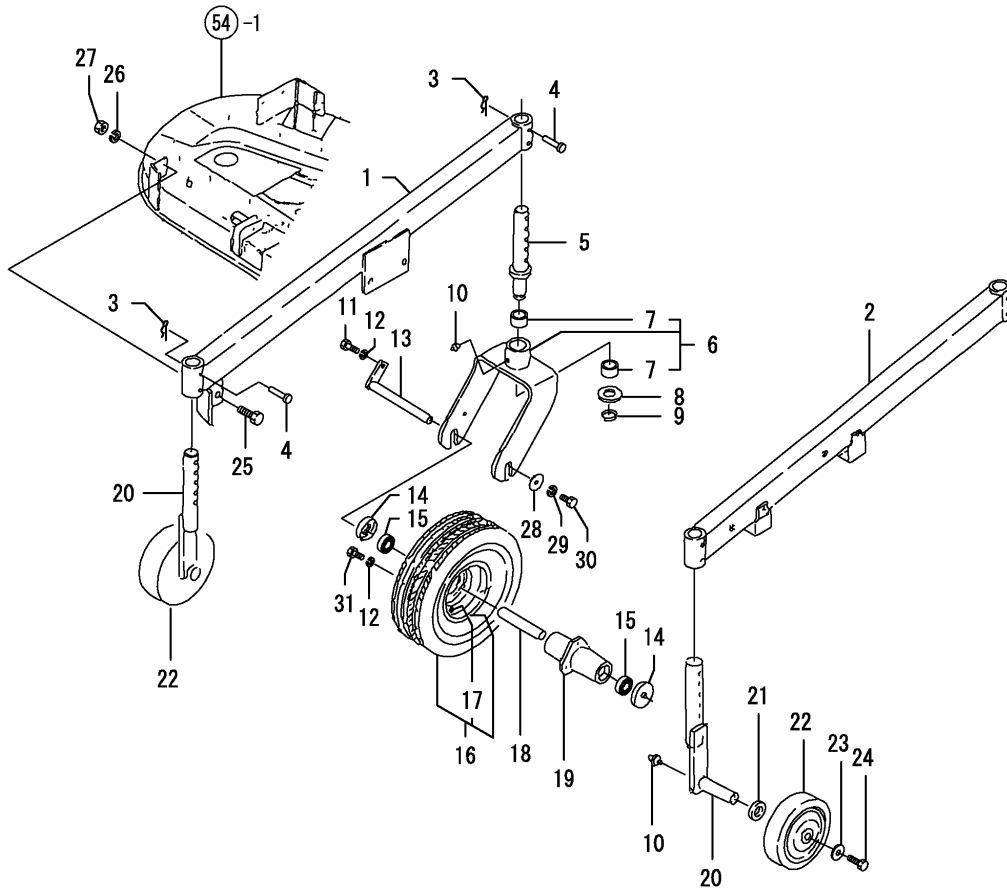
(A)=RM60F (D)=
 (B)= (E)=
 (C)= (F)=

Fig.54. DECK & COVER



REF.	LEV.	PARTS NO.	DESCRIPTION	QTY						I	R
				(A)	(B)	(C)	(D)	(E)	(F)		
1	1	1W6381-03090	PL.ASSY;MOWER DECK	1							
2	1	1W6383-00340	PLATE	2							
3	1	26717-080002	NUT 8	4							
4	1	1W6302-51130	PL.ASSY,COVER;BELT L	1							
5	1	1W6302-51140	PL.ASSY,COVER;BELT R	1							
6	1	1W6422-50080	PIN	2							
7	1	1W4982-11370	SPRING	2							
8	1	22351-040040	SPRING PIN 4X40	2							
9	1	26717-080002	NUT 8	8							
10	1	22217-080000	SPRING WASHER 8	8							
11	1	1W6381-50880	PL.ASSY.,COVER	1							
12	1	26117-080302	BOLT M 8X 30	1							
13	1	26717-080002	NUT 8	1							
14	1	22137-080000	WASHER 8, POLISHED	1							
15	1	22217-080000	SPRING WASHER 8	1							
16	1	1W6383-70011	SHAFT	1							
17	1	1W4982-21250	SPRING	1							
18	1	22351-040020	SPRING PIN 4X20	2							
19	1	26013-080142	BOLT M 8X 14	1							
20	1	1W6501-50080	SHAFT	1							
21	1	22137-200000	WASHER 20,POLISHED	2							
22	1	1W6521-50140	REAR WHEEL	1							
23	1	1W6501-50040	SHAFT	1							
24	1	1W6521-10080	ROLLER	2							
25	1	22137-100000	WASHER 10,POLISHED	1							
26	1	22217-100000	SPRING WASHER 10	1							
27	1	1W0245-09801	NUT	1							
28	1	1W4984-30160	PLUG	2							
29	1	22217-080000	SPRING WASHER 8	4							

Fig.55. GAUGE WHEEL

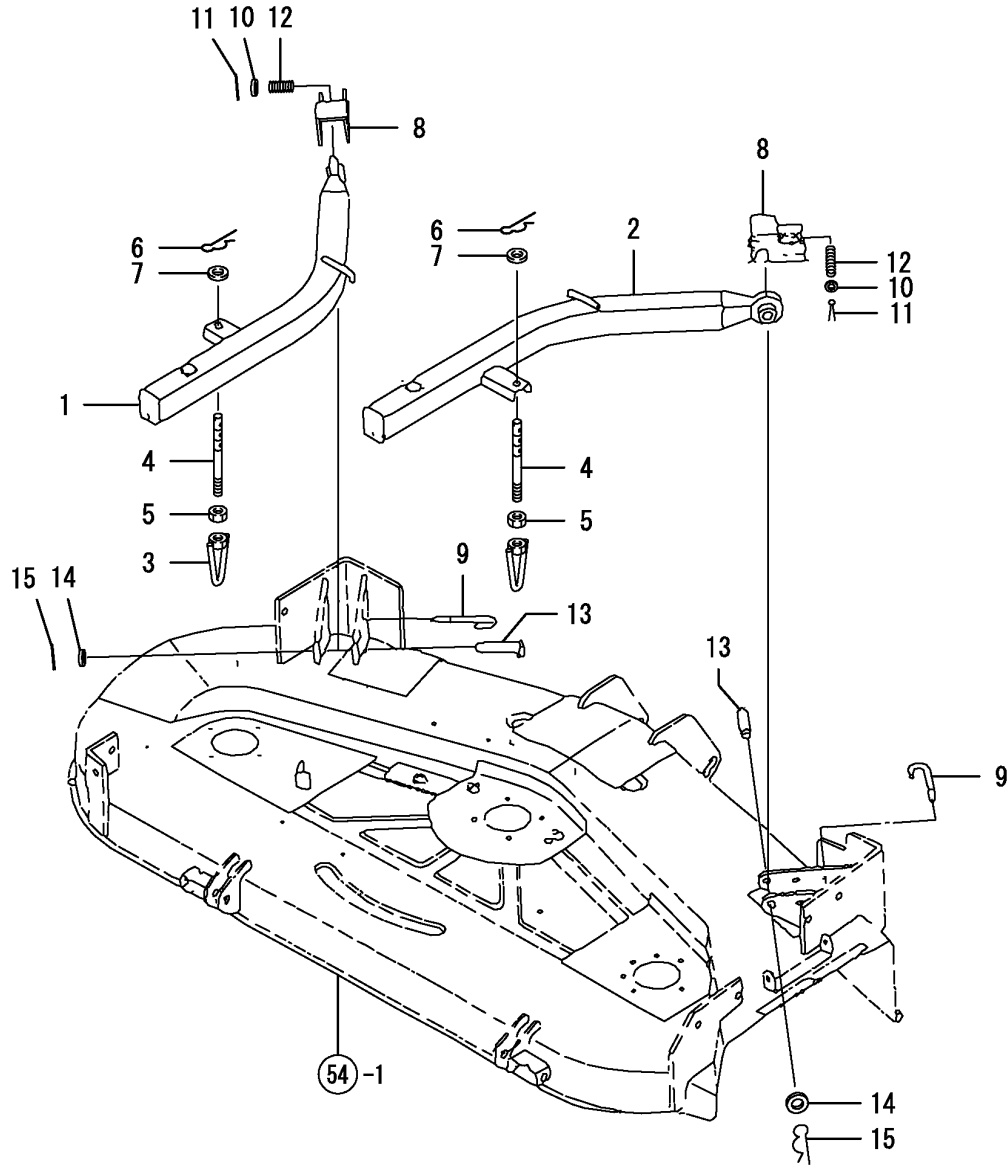


(A)=RM60F (D)=
 (B)= (E)=
 (C)= (F)=

REF.	LEV.	PARTS NO.	DESCRIPTION	QTY					
				(A)	(B)	(C)	(D)	(E)	(F)
1	1	1W6523-00950	CASTER SUPPORT;L	1					
2	1	1W6523-00960	CASTER SUPPORT;R	1					
3	1	1W0311-09017	PIN;PUSH THROUGH	4					
4	1	1W0313-11050	PIN	4					
5	1	1W6523-00360	CASTER SHAFT	2					
6	1	1W6520-30480	ADJUST WHEEL ASSY	2					
7	2	1W4985-10500	BUSHING	4					
8	1	1W4992-11670	WASHER	2					
9	1	22242-000280	CIRCLIP 28	2					
10	1	24761-010000	NIPPLE M6F, GREASE	4					
11	1	26116-080202	BOLT M 8X 20 PLATED	2					
12	1	22217-080000	SPRING WASHER 8	8					
13	1	1W6501-50220	SHAFT	2					
14	1	1W6381-01350	COVER	4					
15	1	24104-062034	BALL BEARING	4					
16	1	1W6500-20050	TIRE ASSY	2					
17	2	1W3361-50050	VALVE ASSY.	2					
18	1	1W4992-34330	COLLAR	2					
19	1	1W6522-20330	BOSS	2					
20	1	1W6522-51240	ARM CASTER	2					
21	1	22137-200000	WASHER 20,POLISHED	2					
22	1	1W6520-50021	WHEEL ASSY	2					
23	1	1W4992-11560	SPACER	2					
24	1	26013-080142	BOLT M 8X 14	2					
25	1	26116-120302	BOLT M12X 30 PLATED	8					
26	1	22217-120000	SPRING WASHER	8					
27	1	26717-120002	NUT M12	8					
28	1	1W4992-11730	SPACER	2					
29	1	22217-100000	SPRING WASHER 10	2					
30	1	26117-100202	BOLT M10X 20 PLATED	2					
31	1	26117-080162	BOLT M 8X 16 PLATED	6					

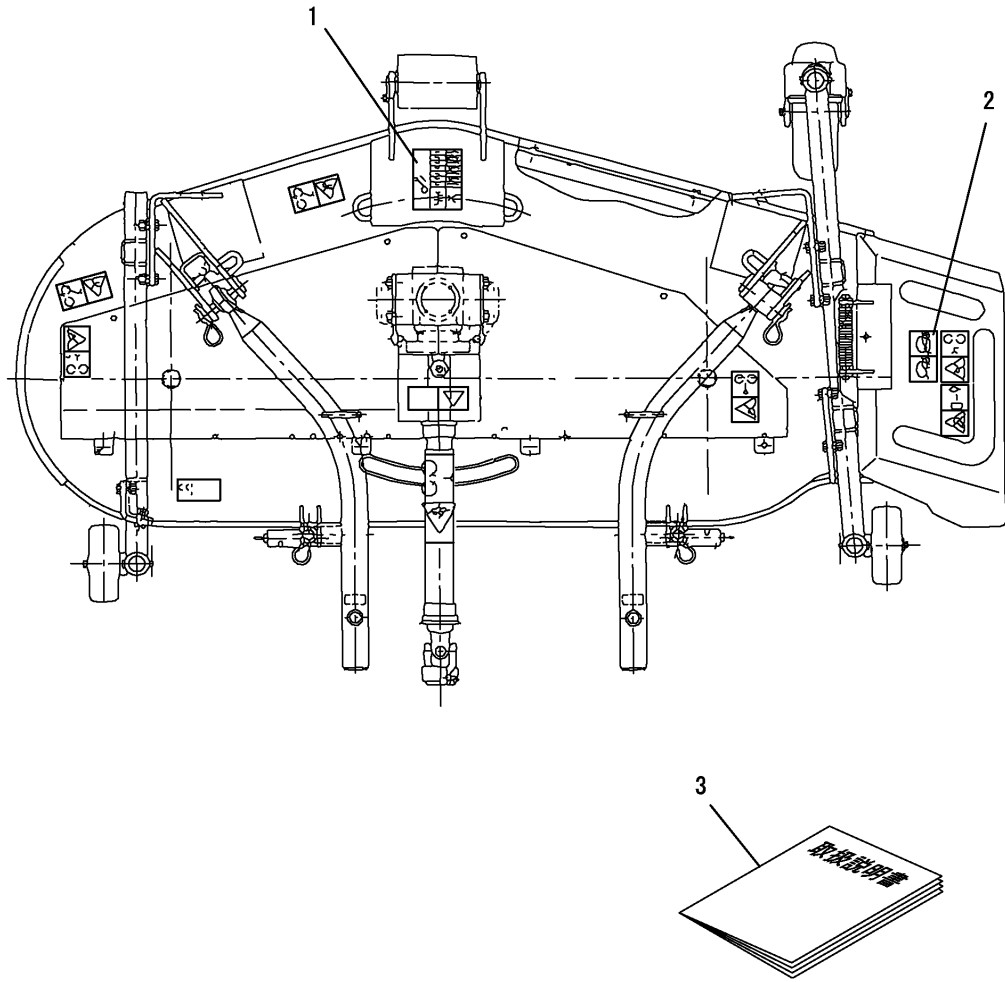
Fig.56. LINK

(A)=RM60F (D)=
 (B)= (E)=
 (C)= (F)=



REF.	LEV.	PARTS NO.	DESCRIPTION	QTY						I	R
				(A)	(B)	(C)	(D)	(E)	(F)		
1	1	1W6425-01280	LIFT ARM;L		1						
2	1	1W6425-01290	LIFT ARM;R		1						
3	1	1W6425-50670	LIFT ROD			2					
4	1	1W6425-60130	ROD			2					
5	1	26727-160002	NUT M16			2					
6	1	1W5997-30050	SET PIN			2					
7	1	22137-160000	WASHER 16,POLISHED			2					
8	1	1W6421-60220	BRACKET			2					
9	1	1W6422-60100	PIN			2					
10	1	22137-100000	WASHER 10,POLISHED			2					
11	1	22417-200200	COTTER PIN 2.0X20			2					
12	1	195545-43700	SPRING			2					
13	1	1W6422-50071	PIN			2					
14	1	22137-200000	WASHER 20,POLISHED			2					
15	1	1W5997-30020	SET PIN			2					

Fig.57. LABELS & ACCESSORIES

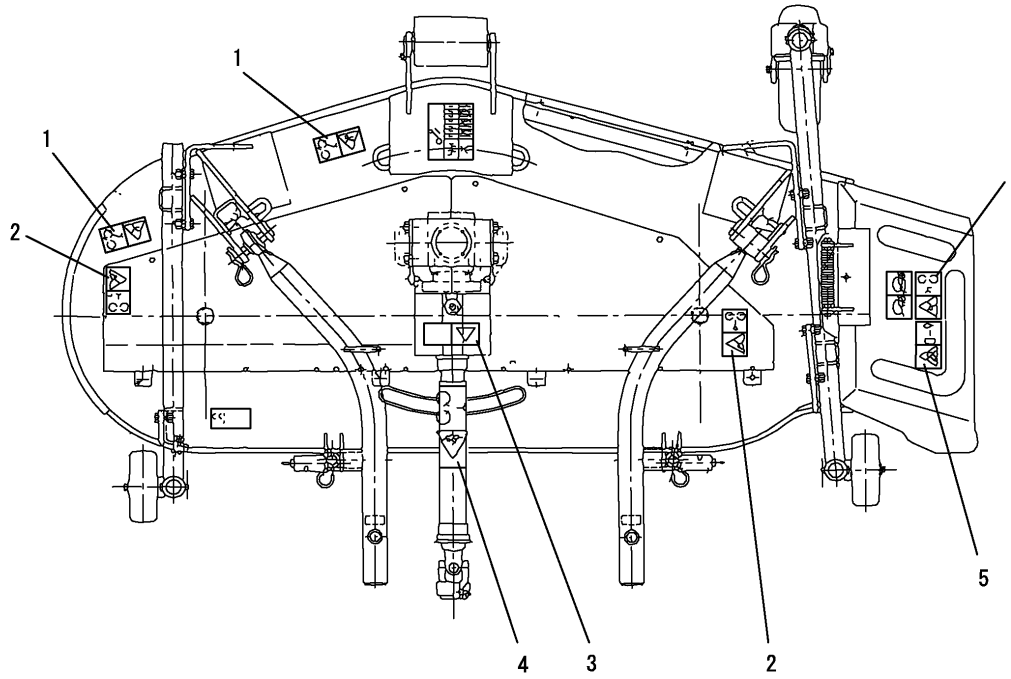


(A)=RM60F (D)=
 (B)= (E)=
 (C)= (F)=

REF.	LEV.	PARTS NO.	DESCRIPTION	QTY						I	R
				(A)	(B)	(C)	(D)	(E)	(F)		
1	1	1W6902-60590	GUIDE MARK	1							
2	1	1W6903-60220	GUIDE MARK	1							
3	1	1W6008-10580	INSTRUCTION BOOK	1							

Fig.58. LABELS(SAFETY)

(A)=RM60F (D)=
 (B)= (E)=
 (C)= (F)=



REF.	LEV.	PARTS NO.	DESCRIPTION	QTY						I	R
				(A)	(B)	(C)	(D)	(E)	(F)		
1	1	1W6903-60240	CAUTION PLATE		3						
2	1	1W6903-60260	CAUTION MARK		2						
3	1	1W6903-60280	CAUTION MARK		1						
4	1	1W6903-60210	CAUTION PLATE		1						
5	1	1W6903-60250	CAUTION PLATE		1						